

RIGHT AND LEFT ANATOMIC CEMENTLESS STEM

- Porous titanium and hydroxyapatite coating
- Available with and without a calcar collar
- Variable proximal filling
- To be used in combination with our interchangeable necks MODULA, a tridimensional matrix coverage

TIGE ANATOMIQUE DROITE ET GAUCHE

- Tige sans ciment revêtu en titane poreux et hydroxyapatite
- Disponible avec et sans collerette
- Remplissage proximal variable
- A utiliser avec nos cols amovibles MODULA, avec couverture à matrice tridimensionnelle

STELO ANATOMICO DESTRO E SINISTRO

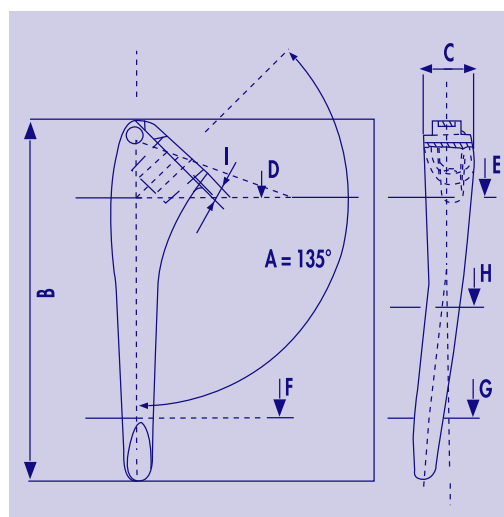
- Stelo senza cemento rivestito in titanio poroso e idrossiapatite
- Disponibile con e senza collare sul calcar
- Riempimento prossimale variabile
- Da impiegarsi con i nostri colli amovibili MODULA, con copertura a matrice tridimensionale



| SIZE | A | B | C | D | E | F | G | H | I |
|------|------|-----|----|----|----|----|----|----|----|
| 1 | 135° | 125 | 16 | 28 | 15 | 9 | 8 | 10 | 2 |
| 2 | 135° | 125 | 17 | 28 | 16 | 10 | 9 | 11 | 3 |
| 3 | 135° | 131 | 18 | 29 | 17 | 11 | 10 | 12 | 4 |
| 4 | 135° | 135 | 19 | 30 | 18 | 12 | 11 | 13 | 6 |
| 5 | 135° | 139 | 20 | 32 | 19 | 13 | 12 | 14 | 7 |
| 6 | 135° | 143 | 22 | 34 | 21 | 14 | 13 | 15 | 8 |
| 7 | 135° | 147 | 24 | 37 | 23 | 15 | 14 | 16 | 9 |
| 8 | 135° | 148 | 26 | 40 | 25 | 17 | 16 | 18 | 10 |

Measures expressed in millimeters

| SIZE | RIGHT | LEFT | RIGHT W/COLLAR | LEFT W/COLLAR |
|------|---------|---------|----------------|---------------|
| 1 | 0101101 | 0101111 | 0101201 | 0101211 |
| 2 | 0101102 | 0101112 | 0101202 | 0101212 |
| 3 | 0101103 | 0101113 | 0101203 | 0101213 |
| 4 | 0101104 | 0101114 | 0101204 | 0101214 |
| 5 | 0101105 | 0101115 | 0101205 | 0101215 |
| 6 | 0101106 | 0101116 | 0101206 | 0101216 |
| 7 | 0101107 | 0101117 | 0101207 | 0101217 |
| 8 | 0101108 | 0101118 | 0101208 | 0101218 |



Material: Titanium alloy
-Ti6Al4V ISO 5832/3

Sterilization: Gamma rays

-Isotope Co60

-Dose 25 KGy

Packaging: Triple no air pack

PP external box

Manufactured by ALA[®] ORTHO CE 0470



AO 00005

APTA STEM





