

**ADLER ORTHO** srl  
 Ufficio di Bologna  
 Via Guelfa 9 40138  
 Bologna Italy  
 Tel. +39-051-533266  
 Fax +39-051-538772

**ADLER ORTHO** srl  
 Ufficio di Milano  
 Via Ciro Menotti 11D  
 20129 Milano Italy  
 Tel. +39-02-615437400  
 Fax +39-02-615437444

**ADLER LAZIO** srl  
 Via Dei Prati Fiscali 158  
 00141 Roma  
 Tel. +39-02-615437400  
 Fax +39-02-615437444

**ARCOS** sarl  
 Zac Nicopolis 83170  
 Brignoles France  
 Tel +33 (0) 494806545  
 Fax +33 (0) 494591911

**ADLER ORTHO** srl  
 Ufficio di Verona  
 Via Pacinotti 4B 37135  
 Verona Italy  
 Tel. +39-045-8230327  
 Fax +39-045-8230660

**ALA ORTHO** srl  
 Nucleo Produttivo  
 Via dell'Innovazione 9  
 20032 Cormano (MI) Italy  
 Tel. +39-02-6154371 Fax  
 +39-02-615437222

**BELGAFIX** sprl/bvba  
 Rue Pierre Decoster 104  
 1190 Bruxelles Belgium  
 Tel. +32-2-3433340  
 Fax +32-2-3433380

[www.adlerortho.com](http://www.adlerortho.com)



B0025-00 Steli Corae

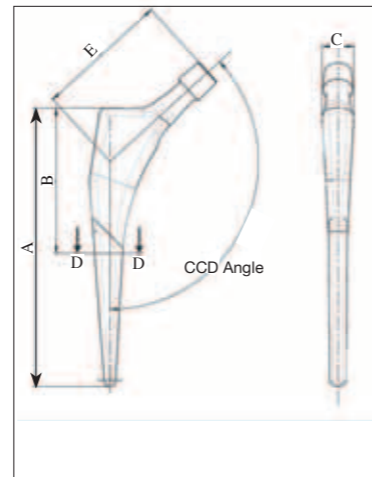
# CORAE

## TOTAL HIP SYSTEM



Gennaio 2011

CODICE	DESCRIPTION	SIZE	CCD Angle	A	B	C	D	E
0107401	Corae uncemented Standard stem 12/14 taper	9	135°	130	65	14	13,4	59
0107402	Corae uncemented Standard stem 12/14 taper	10	135°	140	65	14,2	14,9	60
0107403	Corae uncemented Standard stem 12/14 taper	11	135°	145	65	14,5	15,4	61
0107404	Corae uncemented Standard stem 12/14 taper	12	135°	150	68	15	16	62
0107405	Corae uncemented Standard stem 12/14 taper	13	135°	155	68	15,4	17,3	63
0107406	Corae uncemented Standard stem 12/14 taper	14	135°	160	68	15,9	18,6	64
0107407	Corae uncemented Standard stem 12/14 taper	15	135°	165	68	16,4	20,1	65
0107408	Corae uncemented Standard stem 12/14 taper	16	135°	170	68	16,9	21,5	66
0107409	Corae uncemented Standard stem 12/14 taper	17	135°	175	68	17,4	22,9	67
0107410	Corae uncemented Standard stem 12/14 taper	18	135°	180	68	17,9	24,3	68
0107601	Corae uncemented Offset stem 12/14 taper	9	130°	130	65	14	13,4	65
0107602	Corae uncemented Offset stem 12/14 taper	10	130°	140	65	14,2	14,9	66
0107603	Corae uncemented Offset stem 12/14 taper	11	130°	145	65	14,5	15,4	67
0107604	Corae uncemented Offset stem 12/14 taper	12	130°	150	68	15	16	68
0107605	Corae uncemented Offset stem 12/14 taper	13	130°	155	68	15,4	17,3	69
0107606	Corae uncemented Offset stem 12/14 taper	14	130°	160	68	15,9	18,6	70
0107607	Corae uncemented Offset stem 12/14 taper	15	130°	165	68	16,4	20,1	71
0107608	Corae uncemented Offset stem 12/14 taper	16	130°	170	68	16,9	21,5	72
0187401	Corae cemented stem 12/14 taper	9	132,5°	130	65	14	13,4	62
0187402	Corae cemented stem 12/14 taper	10	132,5°	140	65	14,2	14,9	63
0187403	Corae cemented stem 12/14 taper	11	132,5°	145	65	14,5	15,4	64
0187404	Corae cemented stem 12/14 taper	12	132,5°	150	68	15	16	65
0187405	Corae cemented stem 12/14 taper	13	132,5°	155	68	15,4	17,3	66
0187406	Corae cemented stem 12/14 taper	14	132,5°	160	68	15,9	18,6	67
0187407	Corae cemented stem 12/14 taper	15	132,5°	165	68	16,4	20,1	68
0187408	Corae cemented stem 12/14 taper	16	132,5°	170	68	16,9	21,5	69
0514281	DELTA CERAMIC HEAD	DIAM. 28	SHORT					
0514282	DELTA CERAMIC HEAD	DIAM. 28	MEDIUM					
0514283	DELTA CERAMIC HEAD	DIAM. 28	LONG					
0514321	DELTA CERAMIC HEAD	DIAM. 32	SHORT					
0514322	DELTA CERAMIC HEAD	DIAM. 32	MEDIUM					
0514323	DELTA CERAMIC HEAD	DIAM. 32	LONG					
0514361	DELTA CERAMIC HEAD	DIAM. 36	SHORT					
0514362	DELTA CERAMIC HEAD	DIAM. 36	MEDIUM					
0514363	DELTA CERAMIC HEAD	DIAM. 36	LONG					
0514401	DELTA CERAMIC HEAD	DIAM. 40	SHORT					
0514402	DELTA CERAMIC HEAD	DIAM. 40	MEDIUM					
0514403	DELTA CERAMIC HEAD	DIAM. 40	LONG					
0540321	METAL/METAL HEAD	DIAM. 32	SHORT					
0540322	METAL/METAL HEAD	DIAM. 32	MEDIUM					
0540323	METAL/METAL HEAD	DIAM. 32	LONG					
0540361	METAL/METAL HEAD	DIAM. 36	SHORT					
0540362	METAL/METAL HEAD	DIAM. 36	MEDIUM					
0540363	METAL/METAL HEAD	DIAM. 36	LONG					
0540401	METAL/METAL HEAD	DIAM. 40	SHORT					
0540402	METAL/METAL HEAD	DIAM. 40	MEDIUM					
0540403	METAL/METAL HEAD	DIAM. 40	LONG					
0520281	Cr-Co-Mo HEAD	DIAM. 28	SHORT					
0520282	Cr-Co-Mo HEAD	DIAM. 28	MEDIUM					
0520283	Cr-Co-Mo HEAD	DIAM. 28	LONG					



# CORAE UNCEMENTED STEM

Forged Titanium alloy Implants.  
Stems surface is HA Coated  
at 80 Microns +/- 20Mµ

Available in 10 sizes (size 9 to 18) with progressive dimensional growth.

The first 8 sizes (sizes 9 to 16) feature 2 offset options, to allow accurate hip biomechanics restoration.

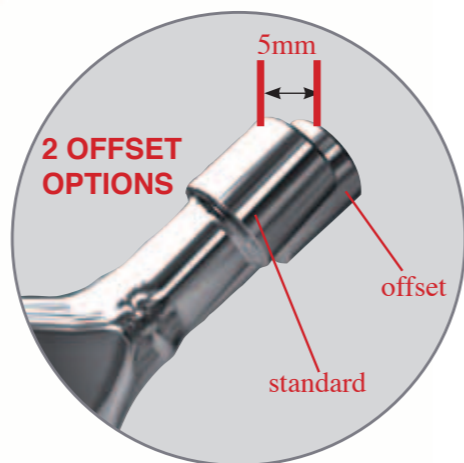
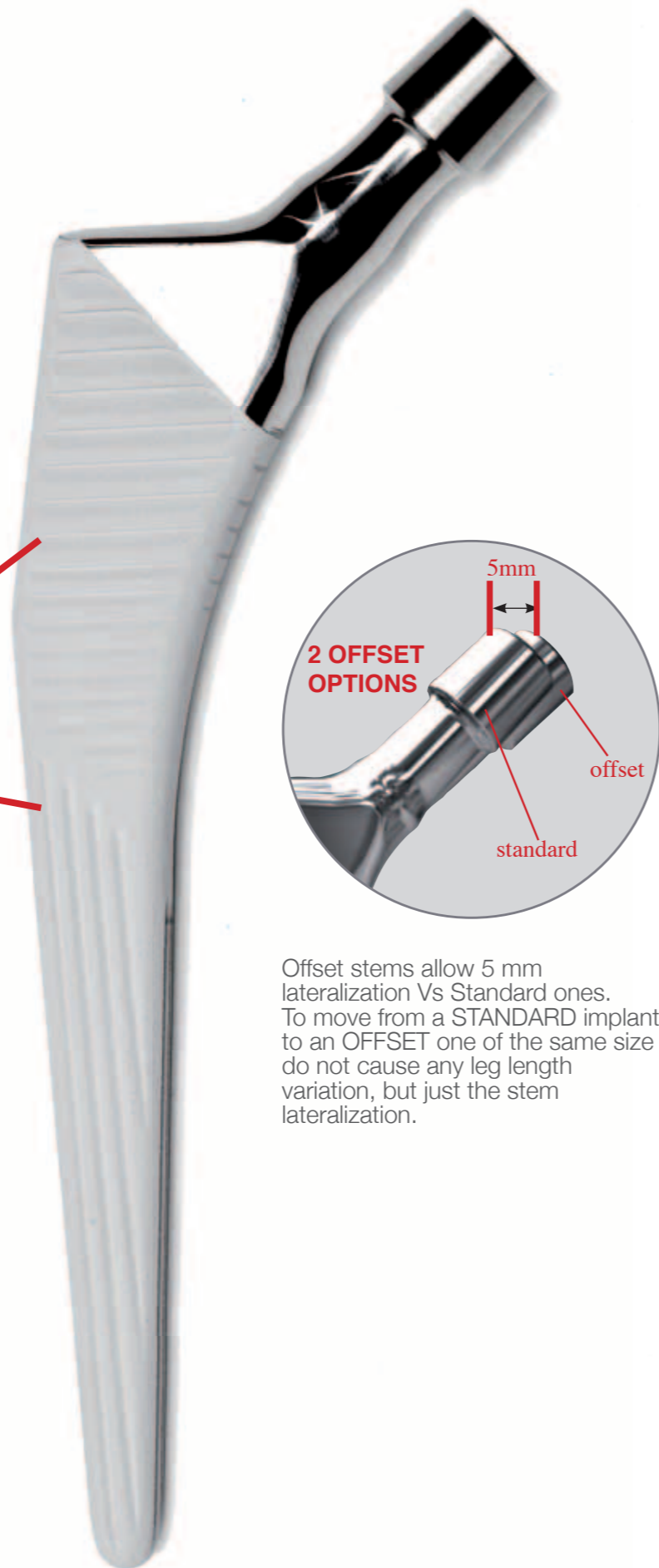
Standard stems have a CCD angle of 135°, while Offset implants CCD angle is 130°.

## IMPLANT SURFACE

Proximally the stem has several transversal parallel grooves, while distally it has longitudinal ridges. This feature maximizes the bone/implant contact area and therefore improves prosthesis secondary fixation.

## STEM IMPACTION SYSTEM

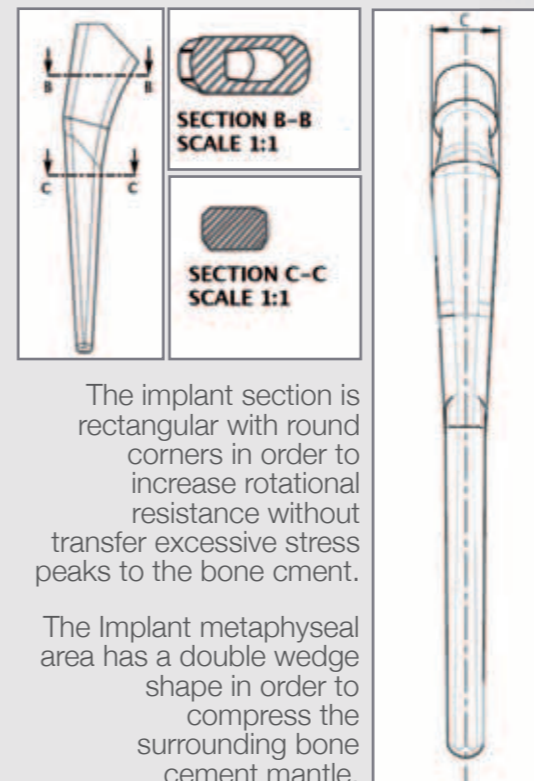
All Corae stems feature a proximal threaded hole for axial impaction. That same hole could be used to attach an implant extractor in case of revision.



Offset stems allow 5 mm lateralization Vs Standard ones. To move from a STANDARD implant to an OFFSET one of the same size do not cause any leg length variation, but just the stem lateralization.

# CORAE CEMENTED STEM

Cemented collarless stem with a mirror polished surface.  
Implants are made of Stainless Steel (M30NW; ISO 5832/9)  
Available in 8 sizes (sizes 9 to 16) with progressive growth.  
All Corae cemented stems have the same CCD angle: 132.5°.



The implant section is rectangular with round corners in order to increase rotational resistance without transfer excessive stress peaks to the bone cement.

The Implant metaphyseal area has a double wedge shape in order to compress the surrounding bone cement mantle.



Corae cemented stems feature as well an axial impaction system by means of a proximal threaded hole with a slot as shown in the picture.



All Corae Implants share the same instrument set and surgical technique. Surgeon can therefore choose without any problem and even intra-operatively the stem fixation system more suitable for the patient.