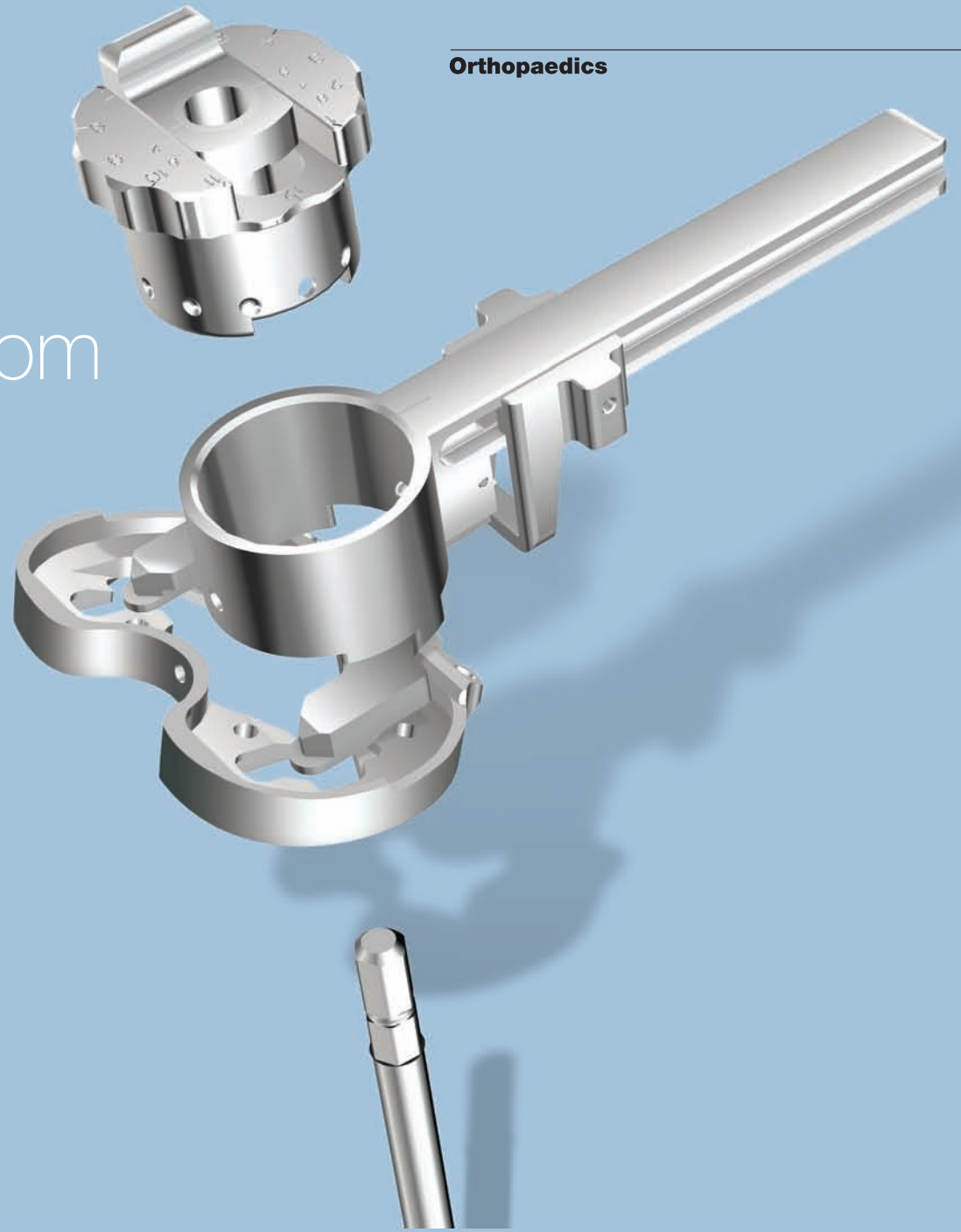


stryker®

Orthopaedics

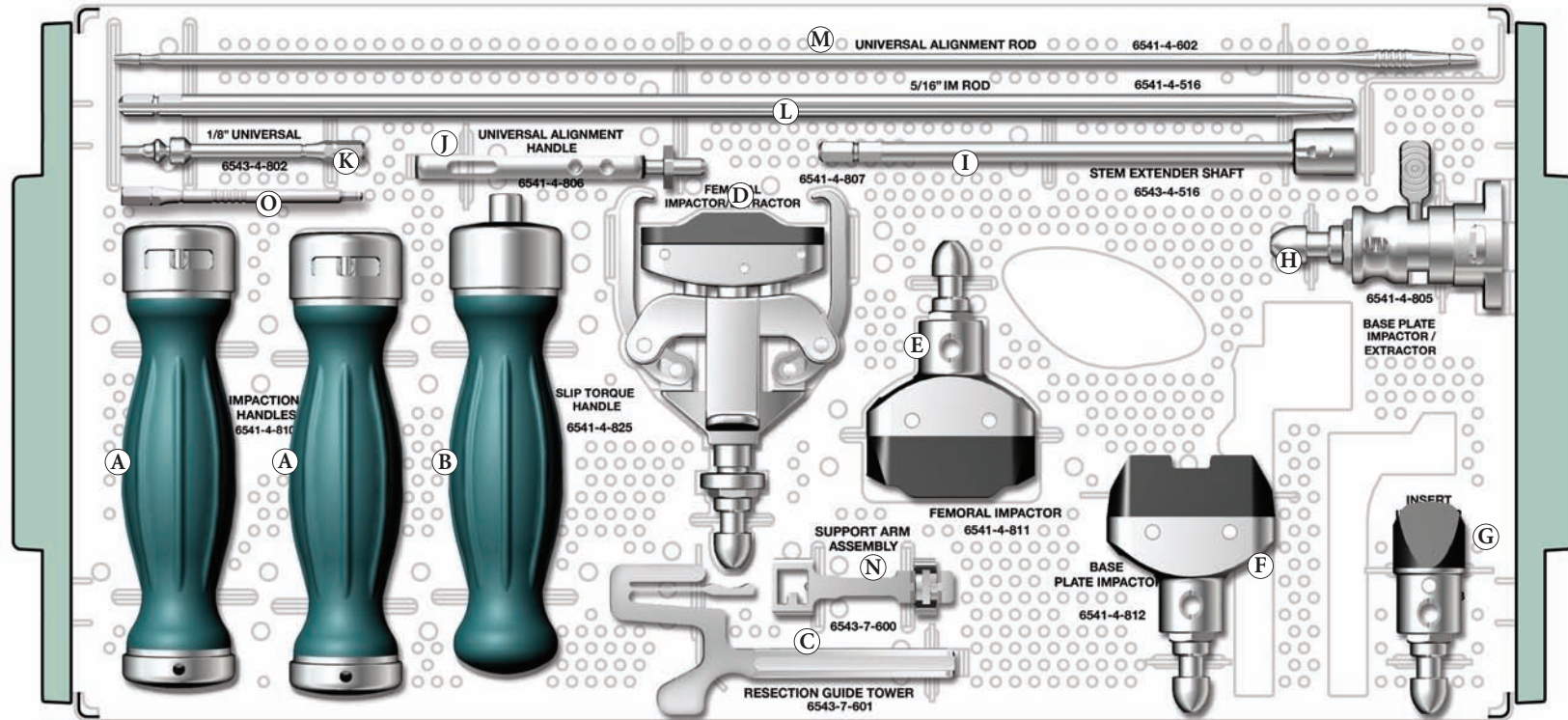
Triathlon TS Knee System

Operating Room
Reference Guide



Triathlon TS Knee System

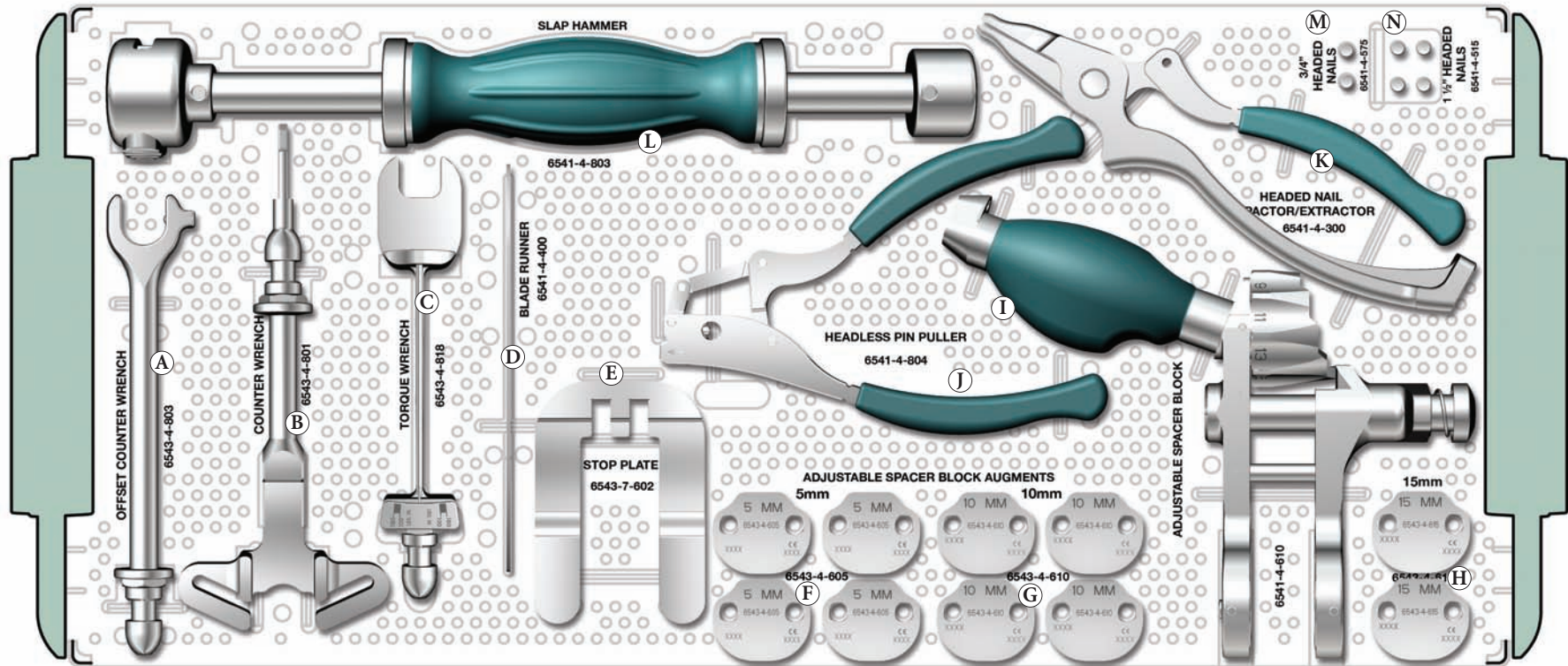
Miscellaneous Instrument Kit Contents - Upper Tray



Catalog #	Description	Qty	Ref. Letter
6541-4-810	Impaction Handle	2	A
6541-4-825	Slip Torque Handle	1	B
6543-7-601	Resection Guide Tower	1	C
6541-4-807	Femoral Impactor Extractor	1	D
6541-4-811	Femoral Impactor	1	E
6541-4-812	Tibial Baseplate Impactor	1	F
6541-4-813	Tibial Insert Impactor	1	G
6541-4-805	Tibial Baseplate Impactor Extractor	1	H
6543-4-516	Stem Extender Shaft	1	I
6541-4-806	Universal Alignment Handle	1	J
6543-4-802	1/8" Universal Hex Driver	1	K
6541-4-516	5/16" IM Rod	1	L
6541-4-602	Universal Alignment Rod	1	M
6543-7-600	Support Arm Assembly	1	N
6541-4-802	1/8" Hex Driver	1	O

Triathlon TS Knee System

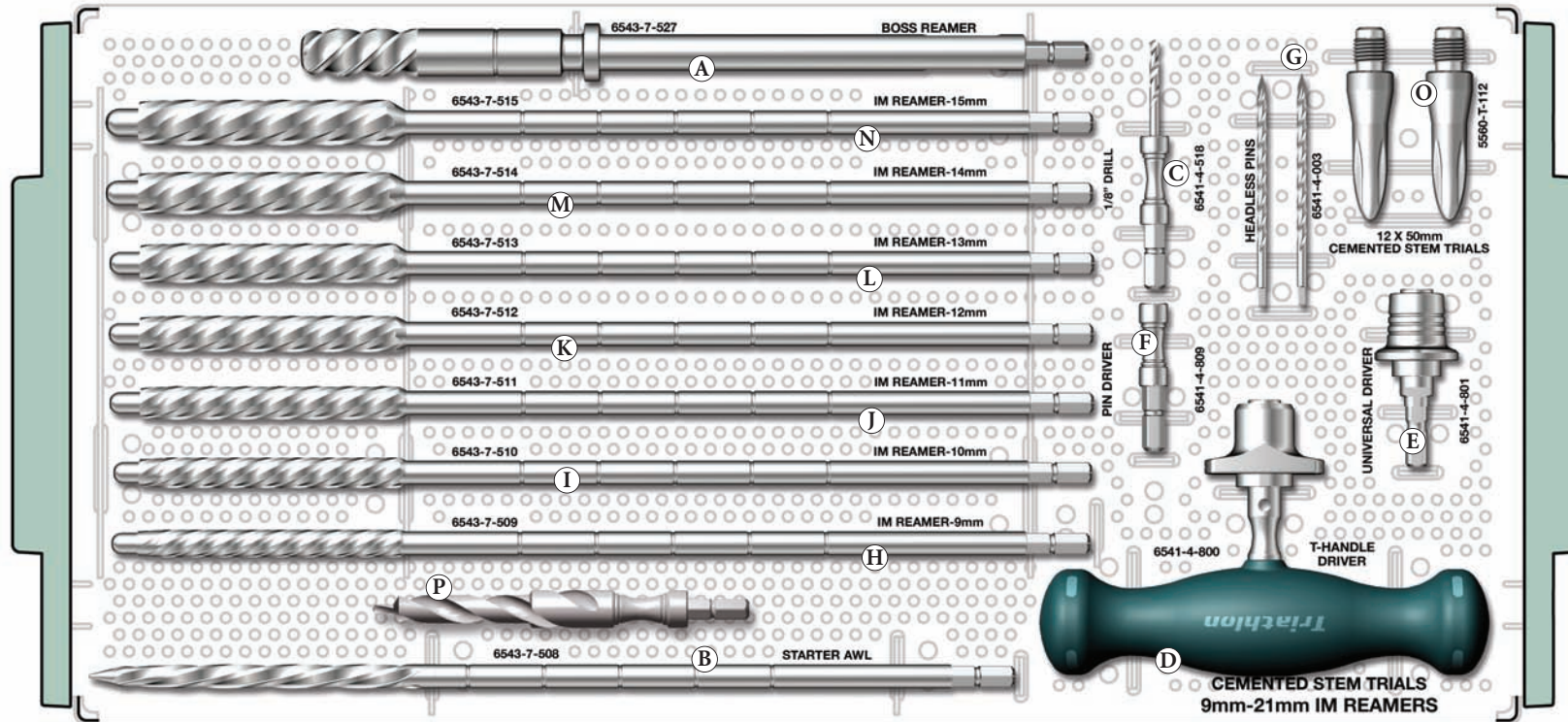
Miscellaneous Instrument Kit Contents - Lower Tray



Catalog #	Description	Qty	Ref. Letter
6543-4-803	Offset Counter Wrench	1	A
6543-4-801	Universal Counter Wrench	1	B
6543-4-818	Universal Torque Wrench	1	C
6541-4-400	Bladerunner	1	D
6543-7-602	Stop Plate	1	E
6543-4-605	Adjustable Spacer Block Augment-5mm	4	F
6543-4-610	Adjustable Spacer Block Augment-10mm	4	G
6543-4-610	Adjustable Spacer Block Augment-15mm	2	H
6541-4-610	Adjustable Spacer Block	1	I
6541-4-804	Headless Pin Extractor	1	J
6541-4-300	Headed Nail Impactor Extractor	1	K
6541-4-803	Slap Hammer	1	L
6541-4-515	Headed Nails - 1 1/2"	2	M
6541-4-575	Headed Nails - 3/4"	2	N

Triathlon TS Knee System

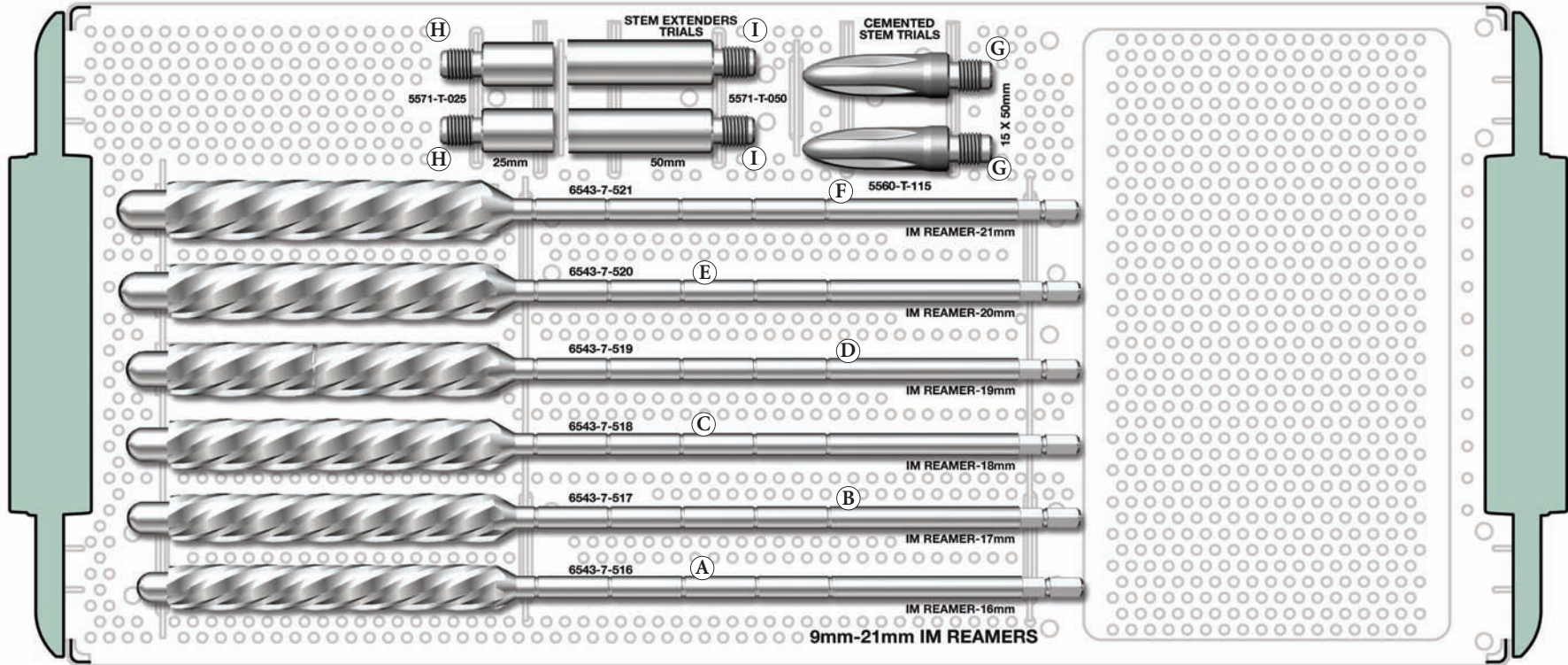
9 - 21mm Reamer Kit Contents - Upper Tray



Catalog #	Description	Qty	Ref. Letter
6543-4-527	Boss/Offset Reamer	1	A
6543-7-508	8mm Starter Awl	1	B
6541-4-518	1/8" Drill	1	C
6541-4-800	T-Handle Driver	1	D
6541-4-801	Universal Driver	1	E
6541-4-809	Headless Pin Driver	1	F
6541-4-003	Headless Pins - 3"	4	G
6543-7-509	IM Reamer - 9mm	1	H
6543-7-510	IM Reamer - 10mm	1	I
6543-7-511	IM Reamer - 11mm	1	J
6543-7-512	IM Reamer - 12mm	1	K
6543-7-513	IM Reamer - 13mm	1	L
6543-7-514	IM Reamer - 14mm	1	M
6543-7-515	IM Reamer - 15mm	1	N
5560-T-112	12 X 50mm Cemented Stem Trial	2	O
6541-4-538	3/8" IM Drill	1	P

Triathlon TS Knee System

9 - 21mm Reamer Kit Contents - Lower Tray



Catalog #	Description	Qty	Ref. Letter
6543-7-516	IM Reamer - 16mm	1	A
6543-7-517	IM Reamer - 17mm	1	B
6543-7-518	IM Reamer - 18mm	1	C
6543-7-519	IM Reamer - 19mm	1	D
6543-7-520	IM Reamer - 20mm	1	E
6543-7-521	IM Reamer - 21mm	1	F
5560-T-115	15mm X 50mm	2	G
5571-T-025	Triathlon Stem Extender Trial - 25mm	2	H
5571-T-050	Triathlon Stem Extender Trial - 50mm	2	I

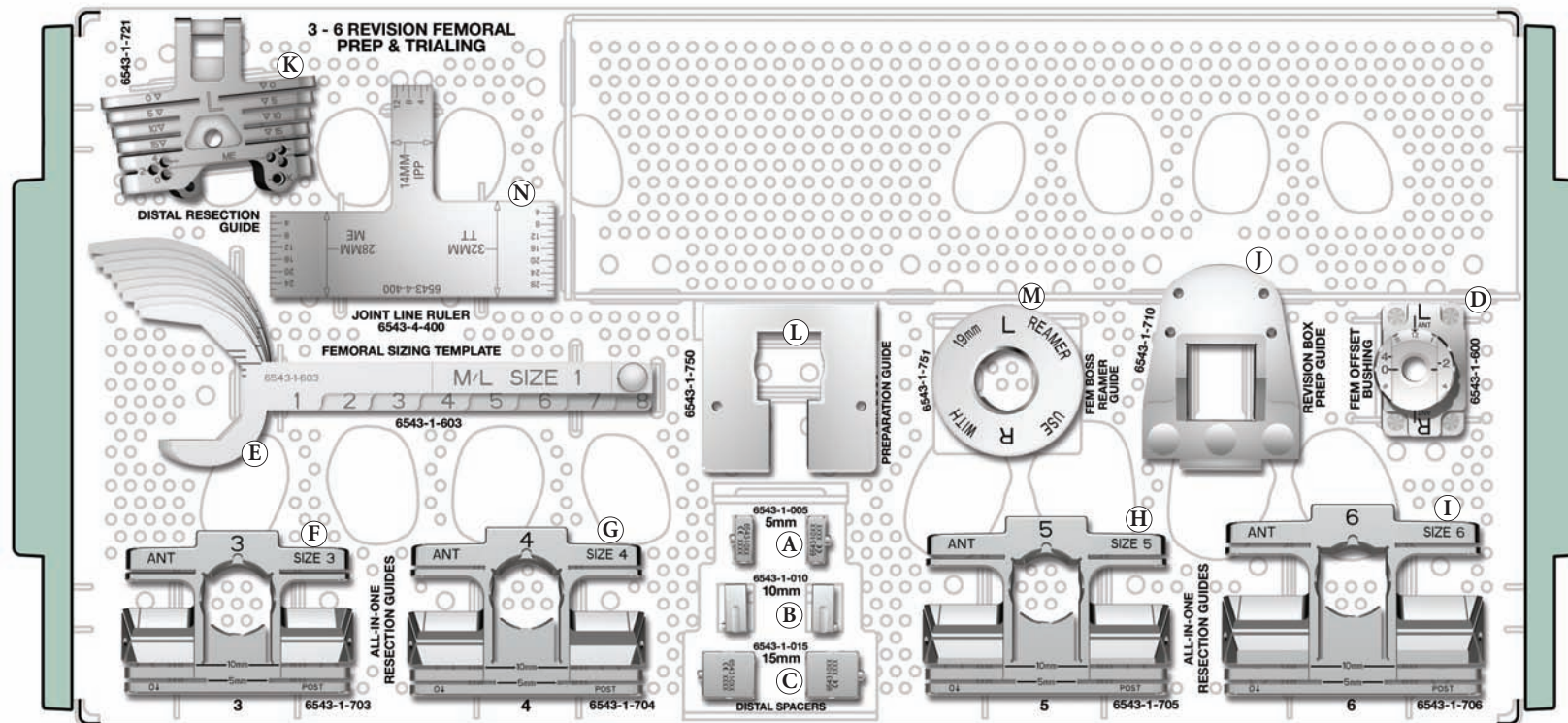
Triathlon TS Knee System

9 - 21mm Stem Trial Kit Contents



Catalog #	Description	Qty	Ref. Letter
5565-T-009	Triathlon Stem Trial, 9 x 100mm	1	A
5565-T-010	Triathlon Stem Trial, 10 x 100mm	1	B
5565-T-011	Triathlon Stem Trial, 11 x 100mm	1	C
5565-T-012	Triathlon Stem Trial, 12 x 100mm	2	D
5565-T-013	Triathlon Stem Trial, 13 x 100mm	2	E
5565-T-014	Triathlon Stem Trial, 14 x 100mm	2	F
5565-T-015	Triathlon Stem Trial, 15 x 100mm	2	G
5565-T-016	Triathlon Stem Trial, 16 x 100mm	2	H
5565-T-017	Triathlon Stem Trial, 17 x 100mm	2	I
5565-T-018	Triathlon Stem Trial, 18 x 100mm	2	J
5565-T-019	Triathlon Stem Trial, 19 x 100mm	2	K
5565-T-020	Triathlon Stem Trial, 20 x 100mm	2	L
5565-T-021	Triathlon Stem Trial, 21 x 100mm	2	M

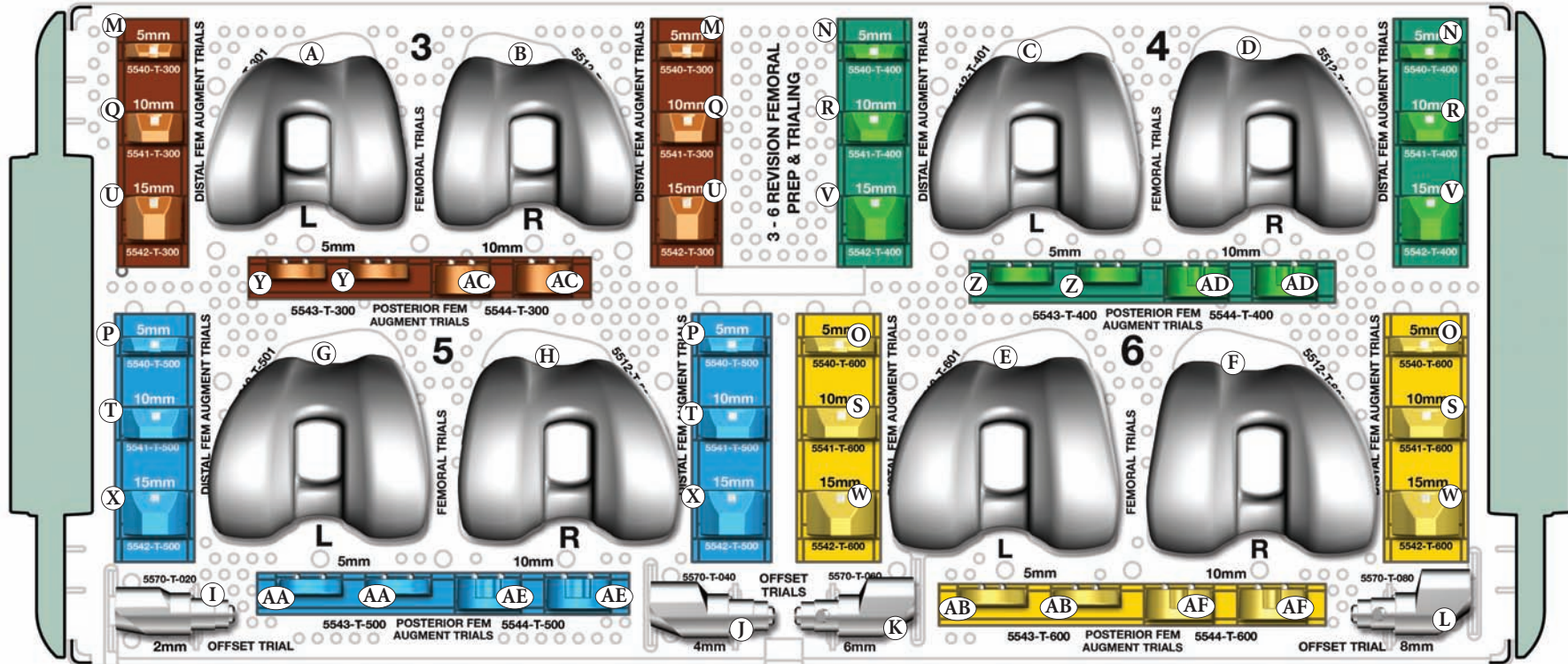
Catalog #	Description	Qty	Ref. Letter
5566-T-009	Triathlon Stem Trial, 9 x 150mm	1	N
5566-T-010	Triathlon Stem Trial, 10 x 150mm	1	O
5566-T-011	Triathlon Stem Trial, 11 x 150mm	1	P
5566-T-012	Triathlon Stem Trial, 12 x 150mm	2	Q
5566-T-013	Triathlon Stem Trial, 13 x 150mm	2	R
5566-T-014	Triathlon Stem Trial, 14 x 150mm	2	S
5566-T-015	Triathlon Stem Trial, 15 x 150mm	2	T
5566-T-016	Triathlon Stem Trial, 16 x 150mm	2	U
5566-T-017	Triathlon Stem Trial, 17 x 150mm	2	V
5566-T-018	Triathlon Stem Trial, 18 x 150mm	2	W
5566-T-019	Triathlon Stem Trial, 19 x 150mm	2	X
5566-T-020	Triathlon Stem Trial, 20 x 150mm	2	Y
5566-T-021	Triathlon Stem Trial, 21 x 150mm	2	Z



Catalog #	Description	Qty	Ref. Letter
6543-1-005	Distal Spacer - 5mm	1	A
6543-1-010	Distal Spacer - 10mm	1	B
6543-1-015	Distal Spacer - 15mm	1	C
6543-1-600	Femoral Offset Bushing	1	D
6543-1-603	Size 1-8 Femoral Sizing Templates	1	E
6543-1-703	#3 All-in-One Cutting Block	1	F
6543-1-704	#4 All-in-One Cutting Block	1	G
6543-1-705	#5 All-in-One Cutting Block	1	H
6543-1-706	#6 All-in-One Cutting Block	1	I
6543-1-710	Revision Box Cutting Guide	1	J
6543-1-721	Revision Distal Resection Guide	1	K
6543-1-750	Femoral Boss Preparation Guide	1	L
6543-1-751	Femoral Boss Bushing	1	M
6543-4-400	Joint Line Ruler	1	N

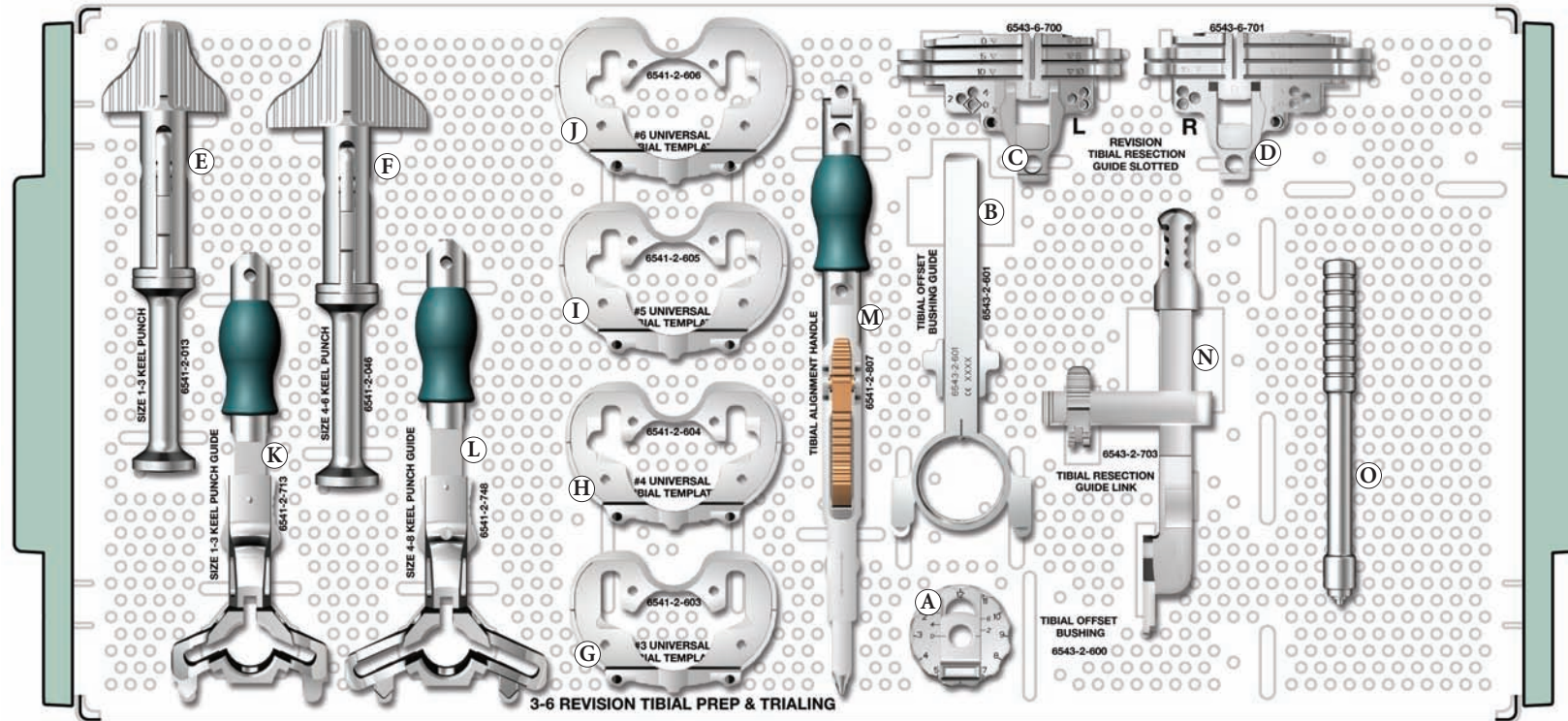
Triathlon TS Knee System

3 - 6 Femoral Trial Kit Contents - Lower Tray



Catalog #	Description	Qty	Ref. Letter
5512-T-301	TS Femoral Trials	1	A
5512-T-302	TS Femoral Trials	1	B
5512-T-401	TS Femoral Trials	1	C
5512-T-402	TS Femoral Trials	1	D
5512-T-501	TS Femoral Trials	1	G
5512-T-501	TS Femoral Trials	1	H
5512-T-601	TS Femoral Trials	1	E
5512-T-602	TS Femoral Trials	1	F
5570-T-020	Triathlon Offset Adaptor Trial - 2mm	1	I
5570-T-040	Triathlon Offset Adaptor Trial - 4mm	1	J
5570-T-060	Triathlon Offset Adaptor Trial - 6mm	1	K
5570-T-080	Triathlon Offset Adaptor Trial - 8mm	1	L
5540-T-300	Triathlon Femoral Distal Augment Trial, 5mm - # 3	2	M
5540-T-400	Triathlon Femoral Distal Augment Trial, 5mm - # 4	2	N
5540-T-500	Triathlon Femoral Distal Augment Trial, 5mm - # 5	2	P
5540-T-600	Triathlon Femoral Distal Augment Trial, 5mm - # 6	2	O
5541-T-300	Triathlon Femoral Distal Augment Trial, 10mm - # 3	2	Q

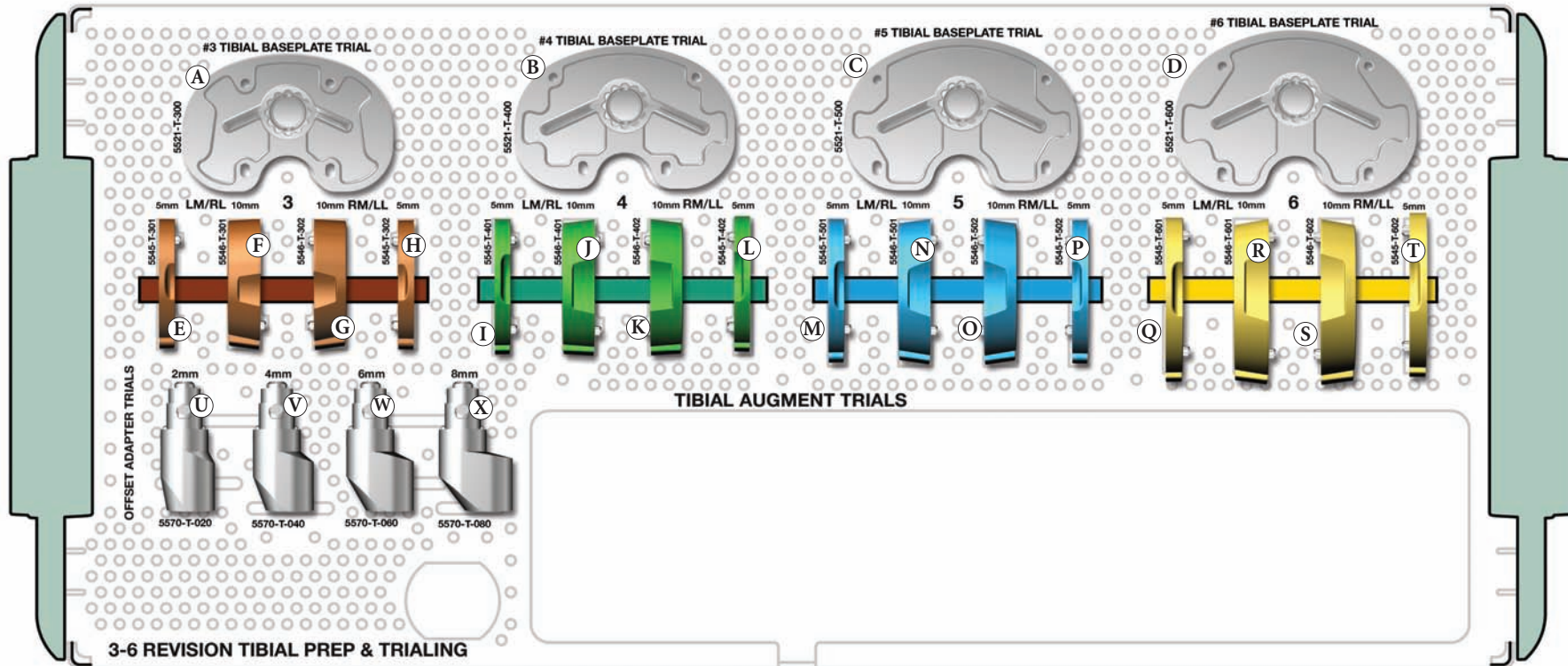
Catalog #	Description	Qty	Ref. Letter
5541-T-400	Triathlon Femoral Distal Augment Trial, 10mm - # 4	2	R
5541-T-500	Triathlon Femoral Distal Augment Trial, 10mm - # 5	2	T
5541-T-600	Triathlon Femoral Distal Augment Trial, 10mm - # 6	2	S
5542-T-300	Triathlon Femoral Distal Augment Trial, 15mm - # 3	2	U
5542-T-400	Triathlon Femoral Distal Augment Trial, 15mm - # 4	2	V
5542-T-500	Triathlon Femoral Distal Augment Trial, 15mm - # 5	2	X
5542-T-600	Triathlon Femoral Distal Augment Trial, 15mm - # 6	2	W
5543-T-300	Triathlon Femoral Posterior Augment Trial, 5mm - # 3	2	Y
5543-T-400	Triathlon Femoral Posterior Augment Trial, 5mm - # 4	2	Z
5543-T-500	Triathlon Femoral Posterior Augment Trial, 5mm - # 5	2	AA
5543-T-600	Triathlon Femoral Posterior Augment Trial, 5mm - # 6	2	AB
5544-T-300	Triathlon Femoral Posterior Augment Trial, 10mm - # 3	2	AC
5544-T-400	Triathlon Femoral Posterior Augment Trial, 10mm - # 4	2	AD
5544-T-500	Triathlon Femoral Posterior Augment Trial, 10mm - # 5	2	AE
5544-T-600	Triathlon Femoral Posterior Augment Trial, 10mm - # 6	2	AF



Catalog #	Description	Qty	Ref. Letter
6543-2-600	Tibial Offset Bushing	1	A
6543-2-601	Tibial Offset Bushing Guide	1	B
6543-6-700	Revision Tibial Resection Guide L - Slotted	1	C
6543-6-701	Revision Tibial Resection Guide R - Slotted	1	D
6541-2-013	Size 1-3 Keel Punch	1	E
6541-2-046	Size 4-6 Keel Punch	1	F
6541-2-603	#3 Universal Tibial Template	1	G
6541-2-604	#4 Universal Tibial Template	1	H
6541-2-605	#5 Universal Tibial Template	1	I
6541-2-606	#6 Universal Tibial Template	1	J
6541-2-713	Size 1-3 Keel Punch Guide	1	K
6541-2-748	Size 4-8 Keel Punch Guide	1	L
6541-2-807	Tibial Alignment Handle	1	M
6543-2-703	Tibial Resection Guide Link	1	N
6543-4-600	Stabilizer Post Impactor	1	O

Triathlon TS Knee System

3 - 6 Tibial Trials Kit Contents - Lower Tray

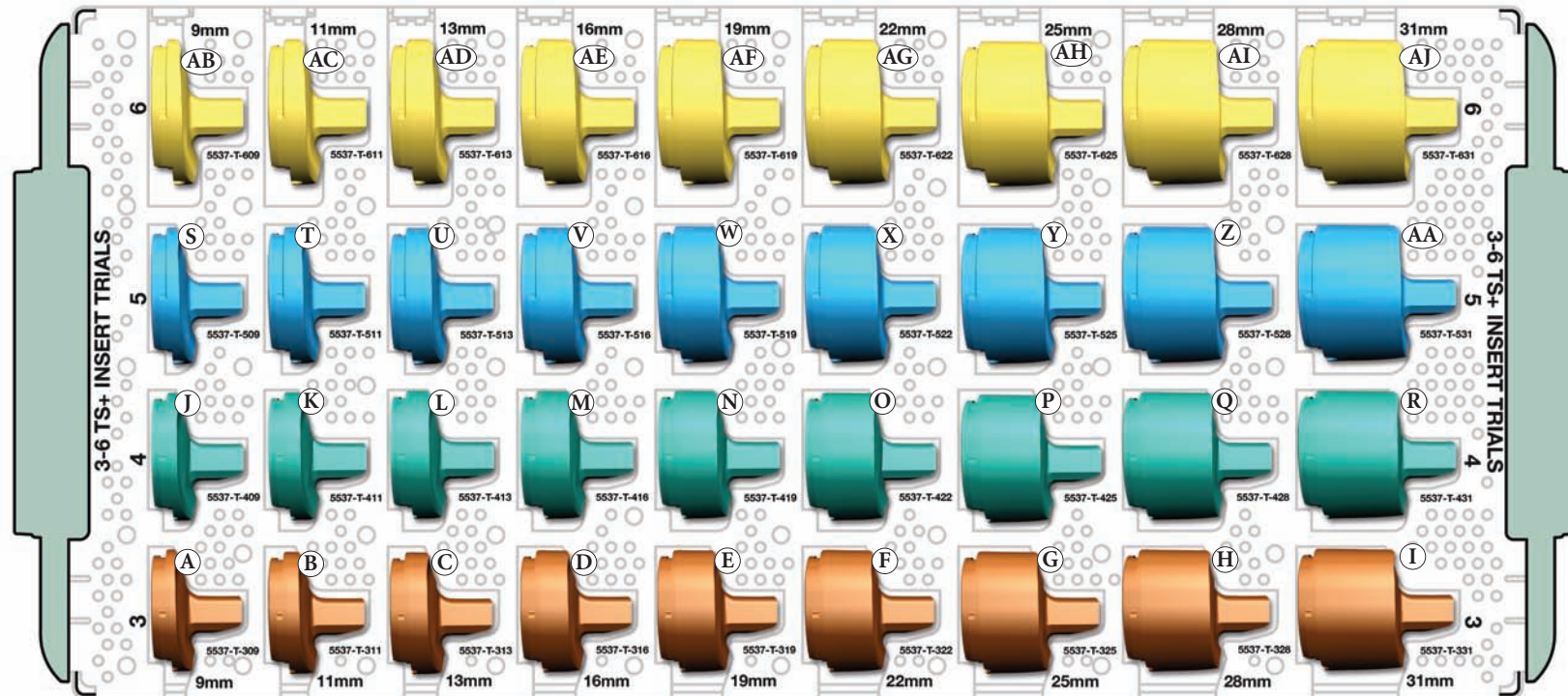


Catalog #	Description	Qty	Ref. Letter
5521-T-300	TS Baseplate Trials # 3 - 9mm	1	A
5521-T-400	TS Baseplate Trials # 4 - 9mm	1	B
5521-T-500	TS Baseplate Trials # 5 - 9mm	1	C
5521-T-600	TS Baseplate Trials # 6 - 9mm	1	D
5545-T-301	Tibial Augment Trial #3 LM/RL - 5mm	1	E
5545-T-302	Tibial Augment Trial #3 RM/LL - 5mm	1	H
5545-T-401	Tibial Augment Trial #4 LM/RL - 5mm	1	I
5545-T-402	Tibial Augment Trial #4 RM/LL - 5mm	1	L
5545-T-501	Tibial Augment Trial #5 LM/RL - 5mm	1	M
5545-T-502	Tibial Augment Trial #5 RM/LL - 5mm	1	P
5545-T-601	Tibial Augment Trial #6 LM/RL - 5mm	1	Q
5545-T-602	Tibial Augment Trial #6 RM/LL - 5mm	1	T

Catalog #	Description	Qty	Ref. Letter
5546-T-301	Tibial Augment Trial #3 LM/RL - 10mm	1	F
5546-T-302	Tibial Augment Trial #3 RM/LL - 10mm	1	G
5546-T-401	Tibial Augment Trial #4 LM/RL - 10mm	1	J
5546-T-402	Tibial Augment Trial #4 RM/LL - 10mm	1	K
5546-T-501	Tibial Augment Trial #5 LM/RL - 10mm	1	N
5546-T-502	Tibial Augment Trial #5 RM/LL - 10mm	1	O
5546-T-601	Tibial Augment Trial #6 LM/RL - 10mm	1	R
5546-T-602	Tibial Augment Trial #6 RM/LL - 10mm	1	S
5570-T-020	Triathlon Offset Adaptor Trial - 2mm	1	U
5570-T-040	Triathlon Offset Adaptor Trial - 4mm	1	V
5570-T-060	Triathlon Offset Adaptor Trial - 6mm	1	W
5570-T-080	Triathlon Offset Adaptor Trial - 8mm	1	X

Triathlon TS Knee System

3 - 6 TS Insert Trial Kit Contents

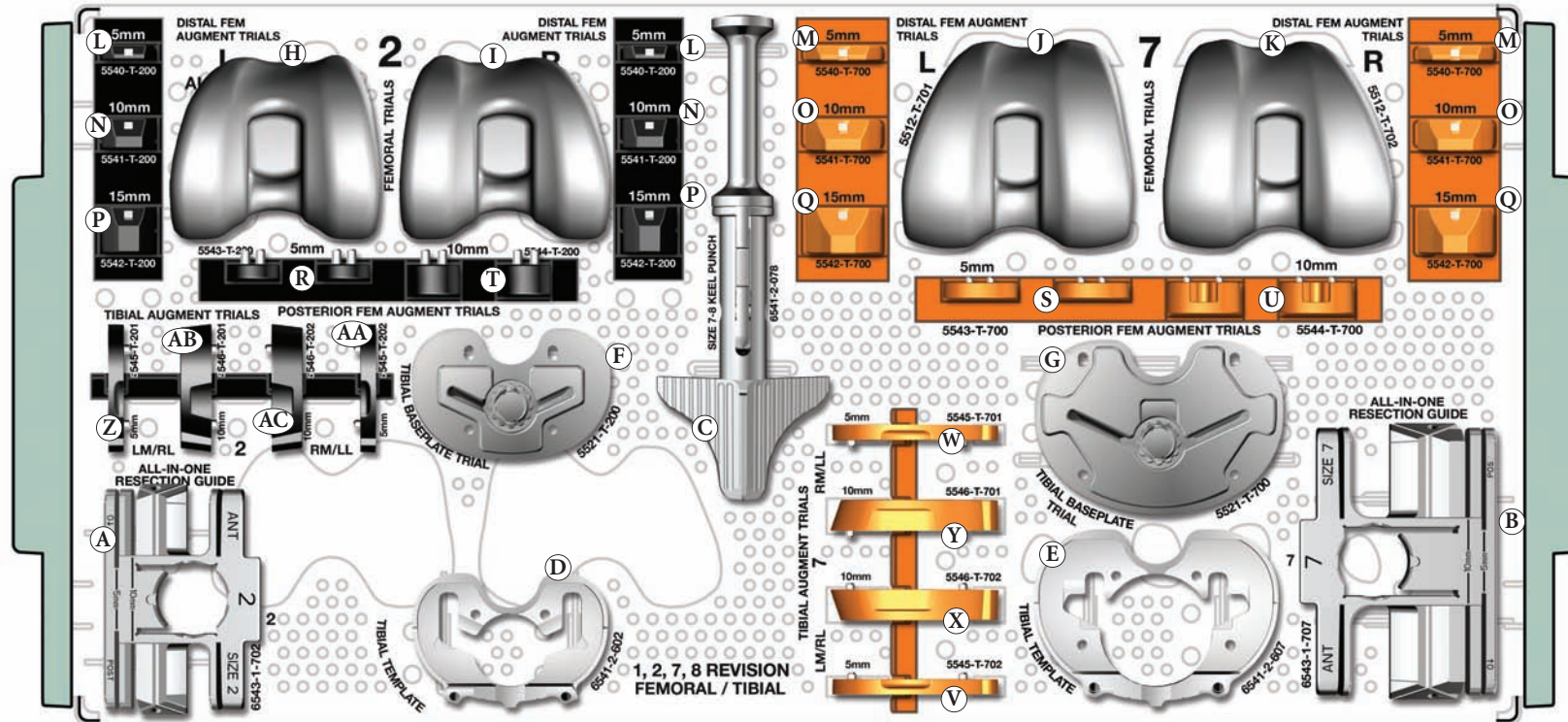


Catalog #	Description	Qty	Ref. Letter
5537-T-309	Triathlon TS+ Tibial Insert Trial #3 - 9mm	1	A
5537-T-311	Triathlon TS+ Tibial Insert Trial #3 - 11mm	1	B
5537-T-313	Triathlon TS+ Tibial Insert Trial #3 - 13mm	1	C
5537-T-316	Triathlon TS+ Tibial Insert Trial #3 - 16mm	1	D
5537-T-319	Triathlon TS+ Tibial Insert Trial #3 - 19mm	1	E
5537-T-322	Triathlon TS+ Tibial Insert Trial #3 - 22mm	1	F
5537-T-325	Triathlon TS+ Tibial Insert Trial #3 - 25mm	1	G
5537-T-328	Triathlon TS+ Tibial Insert Trial #3 - 28mm	1	H
5537-T-331	Triathlon TS+ Tibial Insert Trial #3 - 31mm	1	I
5537-T-409	Triathlon TS+ Tibial Insert Trial #4 - 9mm	1	J
5537-T-411	Triathlon TS+ Tibial Insert Trial #4 - 11mm	1	K
5537-T-413	Triathlon TS+ Tibial Insert Trial #4 - 13mm	1	L
5537-T-416	Triathlon TS+ Tibial Insert Trial #4 - 16mm	1	M
5537-T-419	Triathlon TS+ Tibial Insert Trial #4 - 19mm	1	N
5537-T-422	Triathlon TS+ Tibial Insert Trial #4 - 22mm	1	O
5537-T-425	Triathlon TS+ Tibial Insert Trial #4 - 25mm	1	P
5537-T-428	Triathlon TS+ Tibial Insert Trial #4 - 28mm	1	Q
5537-T-431	Triathlon TS+ Tibial Insert Trial #4 - 31mm	1	R

Catalog #	Description	Qty	Ref. Letter
5537-T-509	Triathlon TS+ Tibial Insert Trial #5 - 9mm	1	S
5537-T-511	Triathlon TS+ Tibial Insert Trial #5 - 11mm	1	T
5537-T-513	Triathlon TS+ Tibial Insert Trial #5 - 13mm	1	U
5537-T-516	Triathlon TS+ Tibial Insert Trial #5 - 16mm	1	V
5537-T-519	Triathlon TS+ Tibial Insert Trial #5 - 19mm	1	W
5537-T-522	Triathlon TS+ Tibial Insert Trial #5 - 22mm	1	X
5537-T-525	Triathlon TS+ Tibial Insert Trial #5 - 25mm	1	Y
5537-T-528	Triathlon TS+ Tibial Insert Trial #5 - 28mm	1	Z
5537-T-531	Triathlon TS+ Tibial Insert Trial #5 - 31mm	1	AA
5537-T-609	Triathlon TS+ Tibial Insert Trial #6 - 9mm	1	AB
5537-T-611	Triathlon TS+ Tibial Insert Trial #6 - 11mm	1	AC
5537-T-613	Triathlon TS+ Tibial Insert Trial #6 - 13mm	1	AD
5537-T-616	Triathlon TS+ Tibial Insert Trial #6 - 16mm	1	AE
5537-T-619	Triathlon TS+ Tibial Insert Trial #6 - 19mm	1	AF
5537-T-622	Triathlon TS+ Tibial Insert Trial #6 - 22mm	1	AG
5537-T-625	Triathlon TS+ Tibial Insert Trial #6 - 25mm	1	AH
5537-T-628	Triathlon TS+ Tibial Insert Trial #6 - 28mm	1	AI
5537-T-631	Triathlon TS+ Tibial Insert Trial #6 - 31mm	1	AJ

Triathlon TS Knee System

1,2,7,8 Femoral/Tibial Kit Contents - Upper Tray

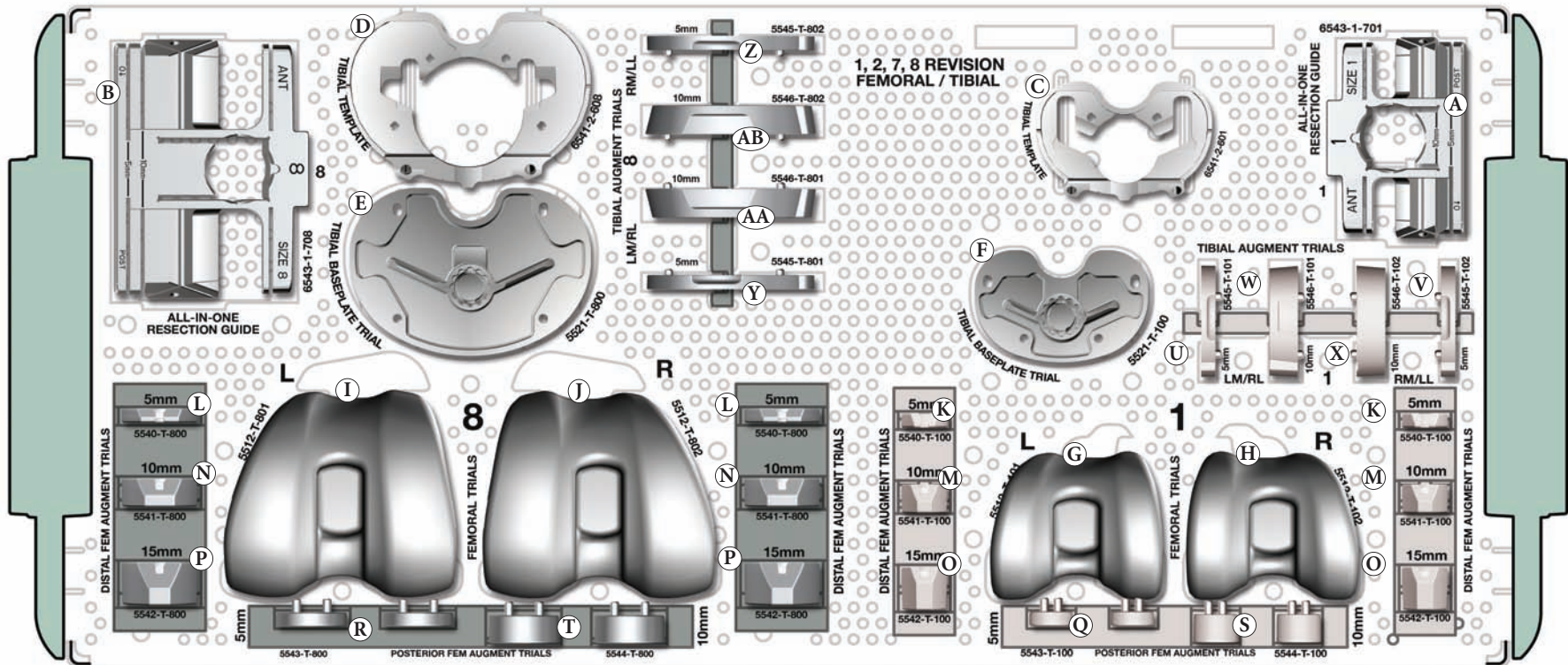


Catalog #	Description	Qty	Ref. Letter
6543-1-702	#2 All-in-One Cutting Block	1	A
6543-1-707	#7 All-in-One Cutting Block	1	B
6541-2-078	Size 7-8 Keel Punch	1	C
6541-2-602	#2 Universal Tibial Template	1	D
6541-2-607	#7 Universal Tibial Template	1	E
5521-T-200	#2 Baseplate Trial	1	F
5521-T-700	#7 Baseplate Trial	1	G
5512-T-201	#2 Femoral Trial Left	1	H
5512-T-202	#2 Femoral Trial Right	1	I
5512-T-801	#7 Femoral Trial Left	1	J
5512-T-802	#7 Femoral Trial Right	1	K
5540-T-200	Triathlon Femoral Distal Augment Trial, 5mm - # 2	2	L
5540-T-700	Triathlon Femoral Distal Augment Trial, 5mm - # 7	2	M
5541-T-200	Triathlon Femoral Distal Augment Trial, 10mm - # 2	2	N
5541-T-700	Triathlon Femoral Distal Augment Trial, 10mm - # 7	2	O

Catalog #	Description	Qty	Ref. Letter
5542-T-200	Triathlon Femoral Distal Augment Trial, 15mm - # 2	2	P
5542-T-700	Triathlon Femoral Distal Augment Trial, 15mm - # 7	2	Q
5543-T-200	Triathlon Femoral Posterior Augment Trial, 5mm - # 2	2	R
5543-T-700	Triathlon Femoral Posterior Augment Trial, 5mm - # 7	2	S
5544-T-200	Triathlon Femoral Posterior Augment Trial, 10mm - # 2	2	T
5544-T-700	Triathlon Femoral Posterior Augment Trial, 10mm - # 7	2	U
5545-T-701	Tibial Augment Trial #7 LM/RL - 5mm	1	V
5545-T-702	Tibial Augment Trial #7 RM/LL - 5mm	1	W
5546-T-701	Tibial Augment Trial #7 LM/RL - 10mm	1	X
5546-T-702	Tibial Augment Trial #7 RM/LL - 10mm	1	Y
5545-T-201	Tibial Augment Trial #2 LM/RL - 5mm	1	Z
5545-T-202	Tibial Augment Trial #2 RM/LL - 5mm	1	AA
5546-T-201	Tibial Augment Trial #2 LM/RL - 10mm	1	AB
5546-T-202	Tibial Augment Trial #2 RM/LL - 10mm	1	AC

Triathlon TS Knee System

1,2,7,8 Femoral/Tibial Kit Contents - Lower Tray

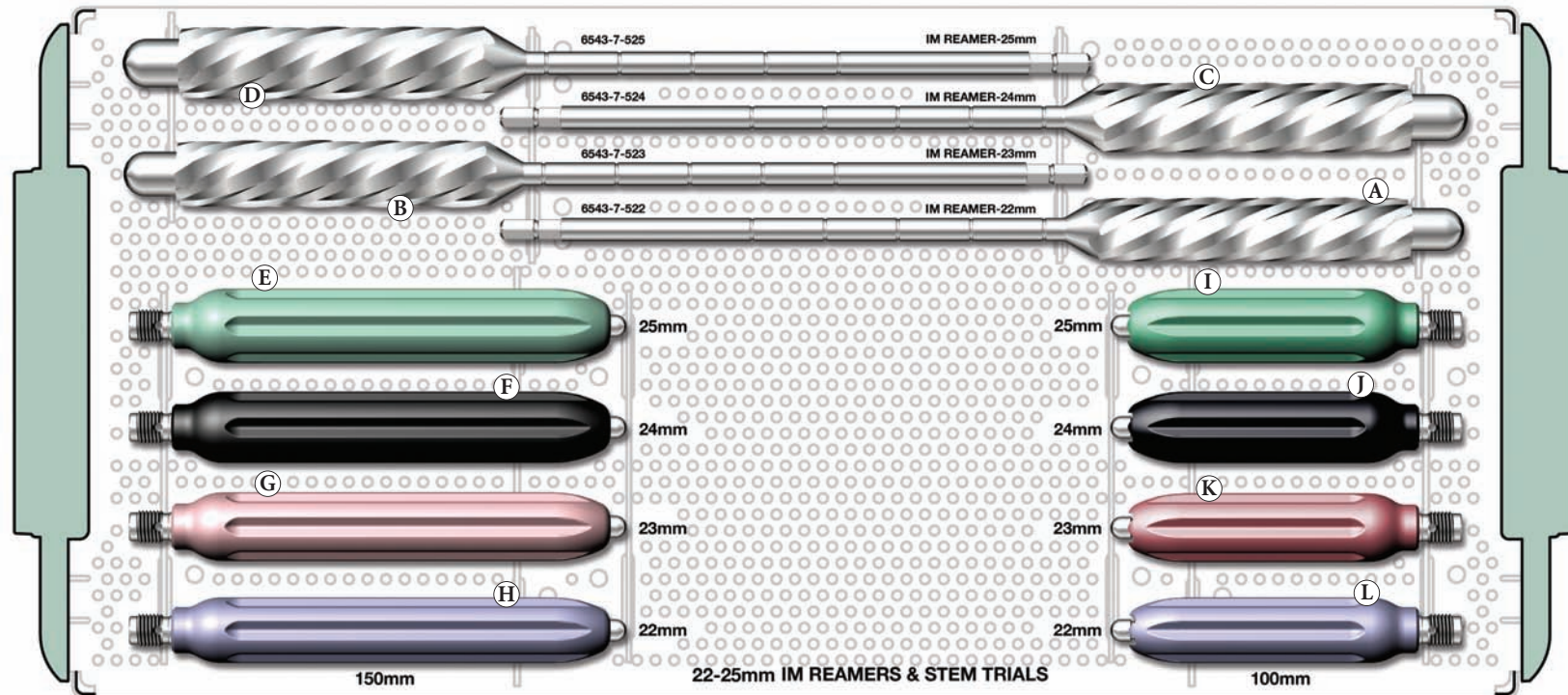


Catalog #	Description	Qty	Ref. Letter
6543-1-701	#1 All-in-One Cutting Block	1	A
6543-1-708	#8 All-in-One Cutting Block	1	B
6541-2-601	#1 Universal Tibial Template	1	C
6541-2-608	#8 Universal Tibial Template	1	D
5521-T-800	#8 Baseplate Trial	1	E
5521-T-100	#1 Baseplate Trial	1	F
5512-T-101	#1 Femoral Trial Left	1	G
5512-T-102	#1 Femoral Trial Right	1	H
5512-T-801	#8 Femoral Trial Left	1	I
5512-T-802	#8 Femoral Trial Right	1	J
5540-T-100	Triathlon Femoral Distal Augment Trial, 5mm - # 1	2	K
5540-T-800	Triathlon Femoral Distal Augment Trial, 5mm - # 8	2	L
5541-T-100	Triathlon Femoral Distal Augment Trial, 10mm - # 1	2	M
5541-T-800	Triathlon Femoral Distal Augment Trial, 10mm - # 8	2	N

Catalog #	Description	Qty	Ref. Letter
5542-T-100	Triathlon Femoral Distal Augment Trial, 15mm - # 1	2	O
5542-T-800	Triathlon Femoral Distal Augment Trial, 15mm - # 8	2	P
5543-T-100	Triathlon Femoral Posterior Augment Trial, 5mm - # 1	2	Q
5543-T-800	Triathlon Femoral Posterior Augment Trial, 5mm - # 8	2	R
5544-T-100	Triathlon Femoral Posterior Augment Trial, 10mm - # 1	2	S
5544-T-800	Triathlon Femoral Posterior Augment Trial, 10mm - # 8	2	T
5545-T-101	Tibial Augment Trial #1 LM/RL - 5mm	1	U
5545-T-102	Tibial Augment Trial #1 RM/LL - 5mm	1	V
5546-T-101	Tibial Augment Trial #1 LM/RL - 10mm	1	W
5546-T-102	Tibial Augment Trial #1 RM/LL - 10mm	1	X
5545-T-801	Tibial Augment Trial #8 LM/RL - 5mm	1	Y
5545-T-802	Tibial Augment Trial #8 RM/LL - 5mm	1	Z
5546-T-801	Tibial Augment Trial #8 LM/RL - 10mm	1	AA
5546-T-802	Tibial Augment Trial #8 RM/LL - 10mm	1	AB

Triathlon TS Knee System

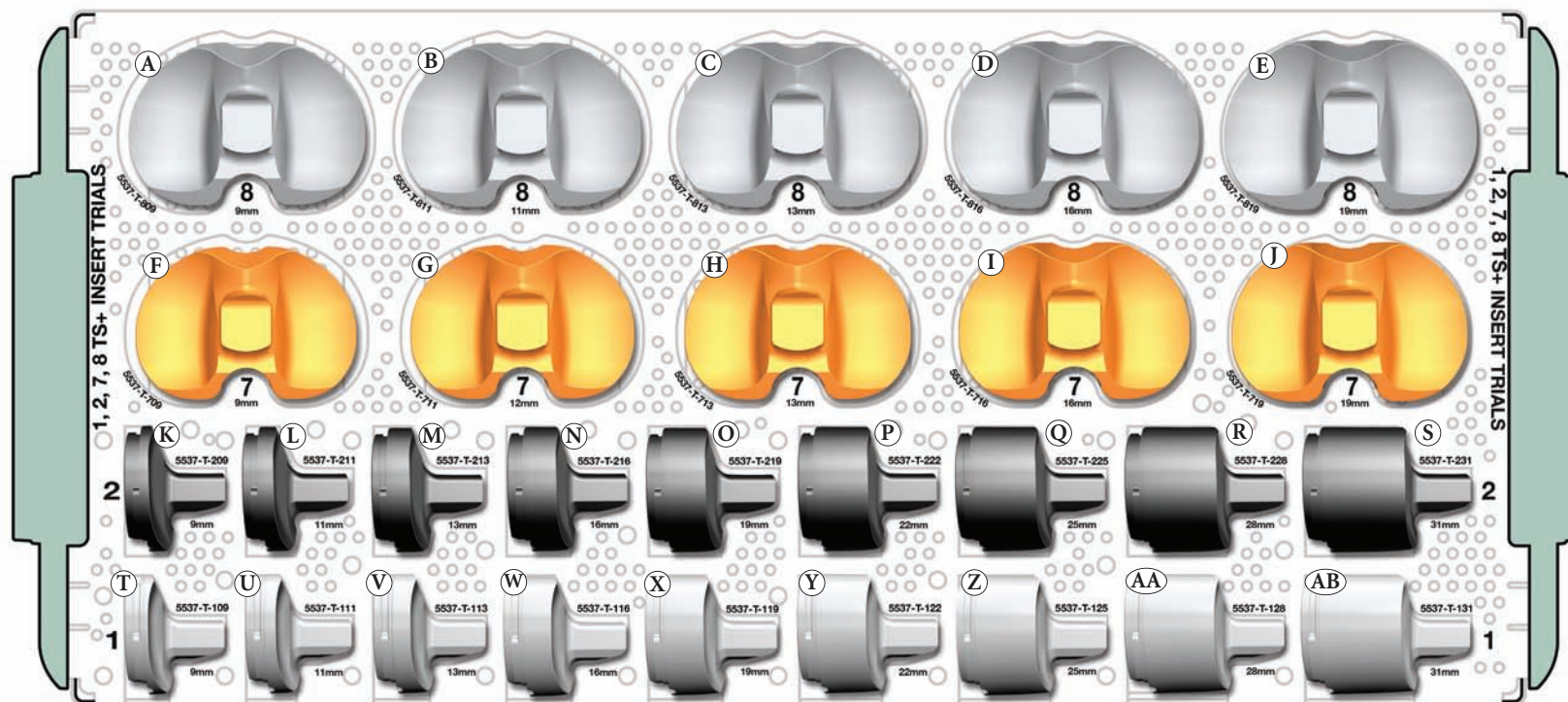
22 - 25mm Reamers & Stem Trials Kit Contents



Catalog #	Description	Qty	Ref. Letter
6543-7-522	IM Reamer - 22mm	1	A
6543-7-523	IM Reamer - 23mm	1	B
6543-7-524	IM Reamer - 24mm	1	C
6543-7-525	IM Reamer - 25mm	1	D
5566-T-022	Triathlon Stem Trial, 22 x 150mm	1	H
5566-t-023	Triathlon Stem Trial, 23 x 150mm	1	G
5566-t-024	Triathlon Stem Trial, 24 x 150mm	1	F
5566-t-025	Triathlon Stem Trial, 25 x 150mm	1	E
5565-T-022	Triathlon Stem Trial, 22 x 100mm	1	L
5565-T-023	Triathlon Stem Trial, 22 x 100mm	1	K
5565-T-024	Triathlon Stem Trial, 22 x 100mm	1	J
5565-T-025	Triathlon Stem Trial, 22 x 100mm	1	I

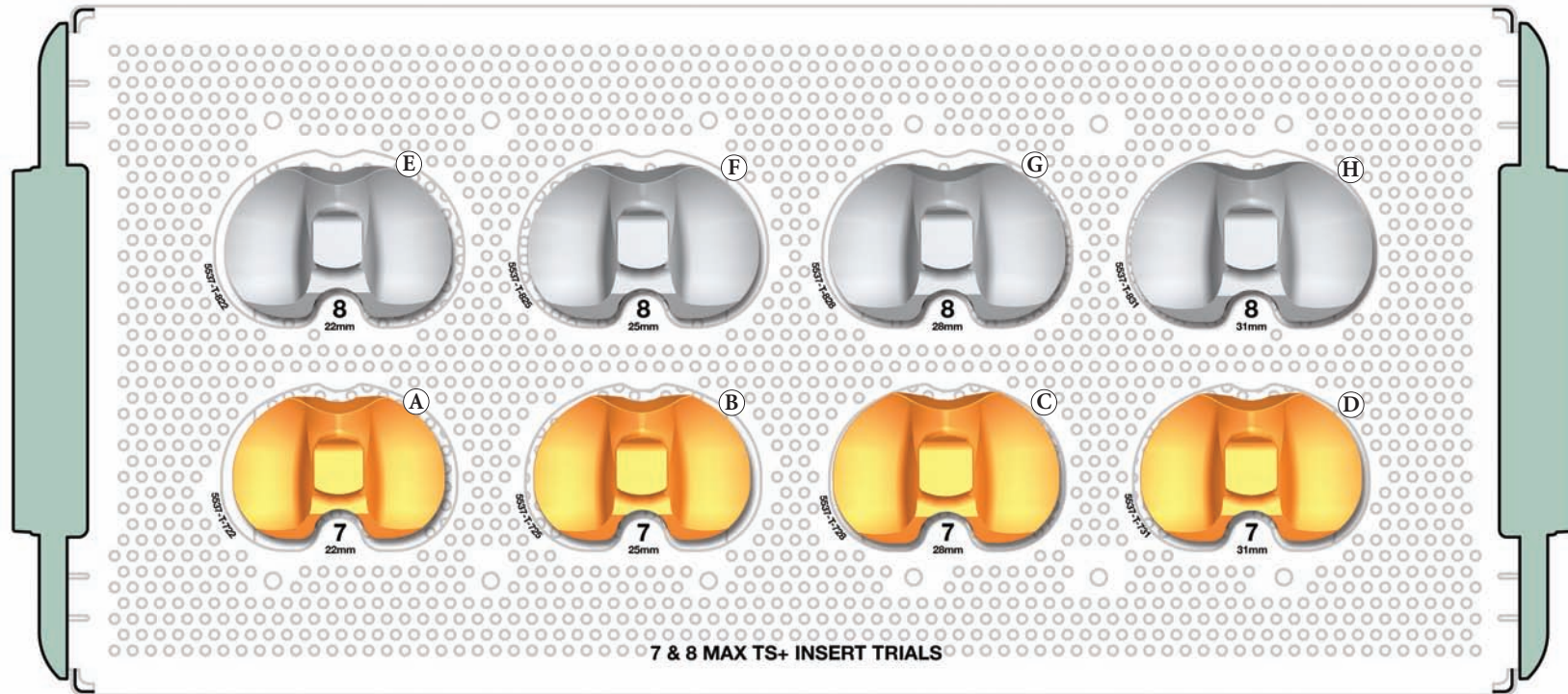
Triathlon TS Knee System

1,2,7,8 TS Insert Trials Kit Contents



Catalog #	Description	Qty	Ref. Letter
5537-T-809	#8 9mm TS+ Insert Trial	1	A
5537-T-811	#8 11mm TS+ Insert Trial	1	B
5537-T-813	#8 13mm TS+ Insert Trial	1	C
5537-T-816	#8 16mm TS+ Insert Trial	1	D
5537-T-819	#8 19mm TS+ Insert Trial	1	E
5537-T-709	#7 9mm TS+ Insert Trial	1	F
5537-T-711	#7 11mm TS+ Insert Trial	1	G
5537-T-713	#7 13mm TS+ Insert Trial	1	H
5537-T-716	#7 16mm TS+ Insert Trial	1	I
5537-T-719	#7 19mm TS+ Insert Trial	1	J
5537-T-209	#2 9mm TS+ Insert Trial	1	K
5537-T-211	#2 11mm TS+ Insert Trial	1	L
5537-T-213	#2 13mm TS+ Insert Trial	1	M
5537-T-216	#2 16mm TS+ Insert Trial	1	N

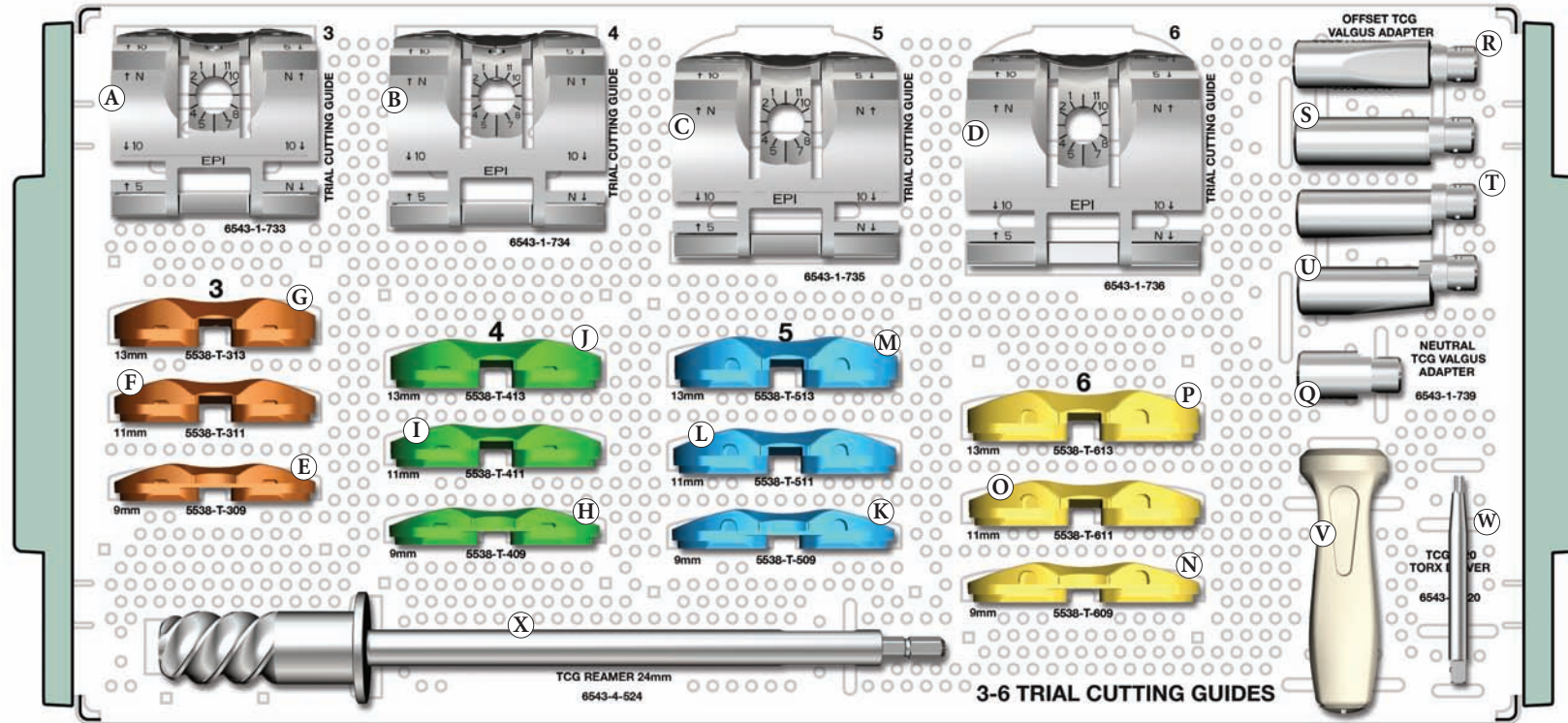
Catalog #	Description	Qty	Ref. Letter
5537-T-219	#2 19mm TS+ Insert Trial	1	O
5537-T-222	#2 22mm TS+ Insert Trial	1	P
5537-T-225	#2 25mm TS+ Insert Trial	1	Q
5537-T-228	#2 28mm TS+ Insert Trial	1	R
5537-T-231	#2 31mm TS+ Insert Trial	1	S
5537-T-109	#1 9mm TS+ Insert Trial	1	T
5537-T-111	#1 11mm TS+ Insert Trial	1	U
5537-T-113	#1 13mm TS+ Insert Trial	1	V
5537-T-116	#1 16mm TS+ Insert Trial	1	W
5537-T-119	#1 19mm TS+ Insert Trial	1	X
5537-T-122	#1 22mm TS+ Insert Trial	1	Y
5537-T-125	#1 25mm TS+ Insert Trial	1	Z
5537-T-128	#1 28mm TS+ Insert Trial	1	AA
5537-T-131	#1 31mm TS+ Insert Trial	1	AB



Catalog #	Description	Qty	Ref. Letter
5537-T-722	#7 22mm TS+ Insert Trial	1	A
5537-T-725	#7 25mm TS+ Insert Trial	1	B
5537-T-728	#7 28mm TS+ Insert Trial	1	C
5537-T-731	#7 31mm TS+ Insert Trial	1	D
5537-T-822	#8 22mm TS+ Insert Trial	1	E
5537-T-825	#8 25mm TS+ Insert Trial	1	F
5537-T-828	#8 28mm TS+ Insert Trial	1	G
5537-T-831	#8 31mm TS+ Insert Trial	1	H

Triathlon TS Knee System

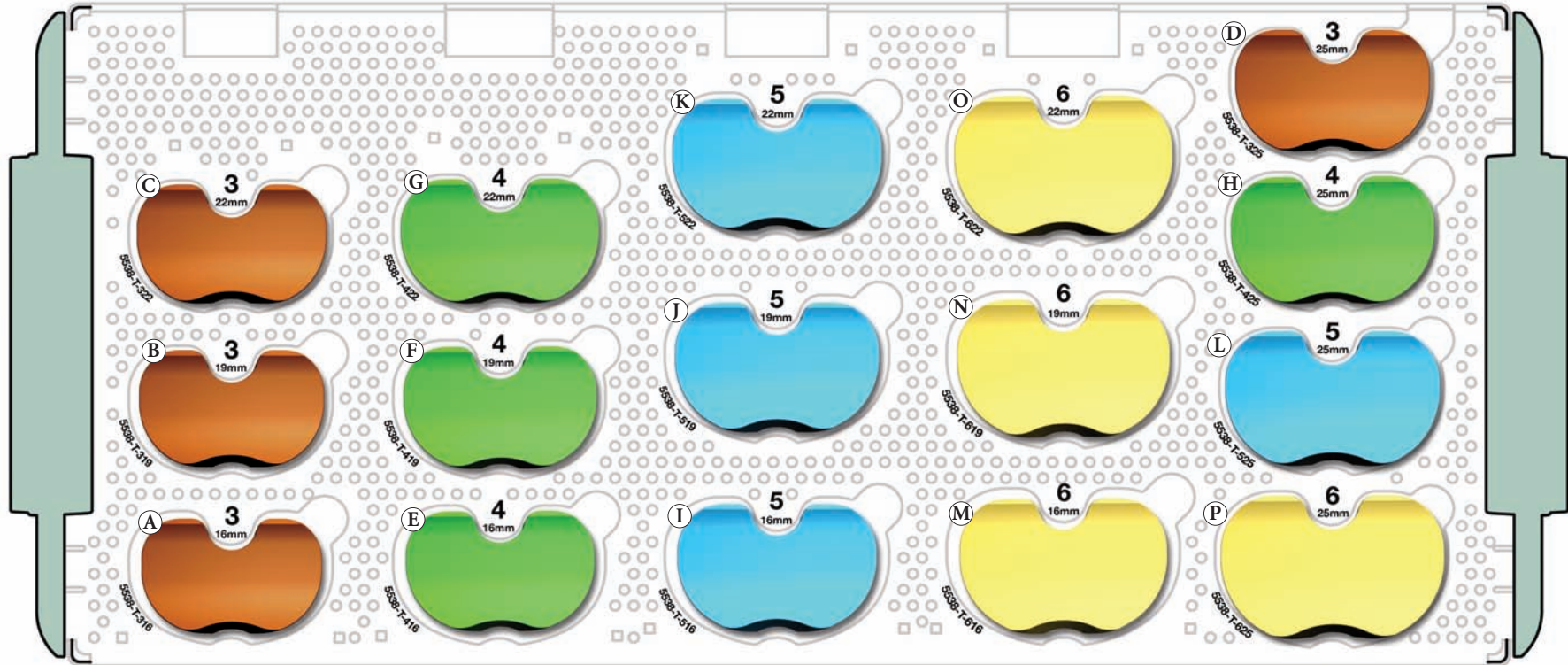
3 - 6 TCG Instrument & Trials Kit Contents - Upper Tray



Catalog #	Description	Qty	Ref. Letter
6543-1-733	#3 Trial Cutting Guide	1	A
6543-1-734	#4 Trial Cutting Guide	1	B
6543-1-735	#5 Trial Cutting Guide	1	C
6543-1-736	#6 Trial Cutting Guide	1	D
5538-T-309	#3 TCG Insert Trial 9mm	1	E
5538-T-311	#3 TCG Insert Trial 11mm	1	F
5538-T-313	#3 TCG Insert Trial 13mm	1	G
5538-T-409	#4 TCG Insert Trial 9mm	1	H
5538-T-411	#4 TCG Insert Trial 11mm	1	I
5538-T-413	#4 TCG Insert Trial 13mm	1	J
5538-T-509	#5 TCG Insert Trial 9mm	1	K
5538-T-511	#5 TCG Insert Trial 11mm	1	L

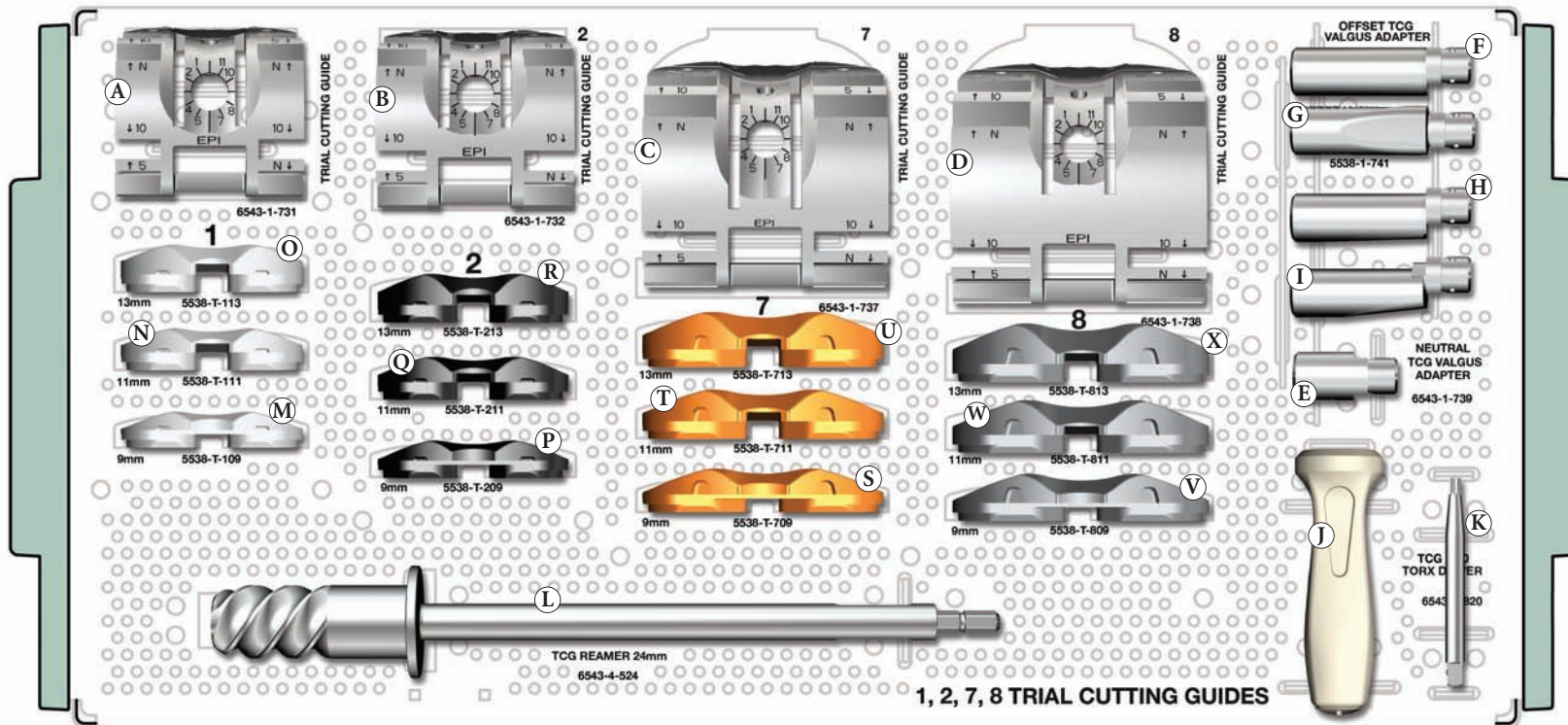
Catalog #	Description	Qty	Ref. Letter
5538-T-513	#5 TCG Insert Trial 13mm	1	M
5538-T-609	#6 TCG Insert Trial 9mm	1	N
5538-T-611	#6 TCG Insert Trial 11mm	1	O
5538-T-613	#6 TCG Insert Trial 13mm	1	P
6543-1-740	Neutral TCG Valgus Adapter	1	Q
6543-1-742	2mm Offset TCG Valgus Adapter	1	R
6543-1-744	4mm Offset TCG Valgus Adapter	1	S
6543-1-746	6mm Offset TCG Valgus Adapter	1	T
6543-1-748	8mm Offset TCG Valgus Adapter	1	U
5100-3600	TCG Torque Handle	1	V
6543-4-820	TCG T-20 Torx Driver	1	W
6543-4-524	TCG Reamer -24mm	1	X

Triathlon TS Knee System



Catalog #	Description	Qty	Ref. Letter
5538-T-316	#3 TCG Insert 16mm	1	A
5538-T-319	#3 TCG Insert 19mm	1	B
5538-T-322	#3 TCG Insert 22mm	1	C
5538-T-325	#3 TCG Insert 25mm	1	D
5538-T-416	#4 TCG Insert 16mm	1	E
5538-T-419	#4 TCG Insert 19mm	1	F
5538-T-422	#4 TCG Insert 22mm	1	G
5538-T-425	#4 TCG Insert 25mm	1	H
5538-T-516	#5 TCG Insert 16mm	1	I
5538-T-519	#5 TCG Insert 19mm	1	J
5538-T-522	#5 TCG Insert 22mm	1	K
5538-T-525	#5 TCG Insert 25mm	1	L
5538-T-616	#6 TCG Insert 16mm	1	M
5538-T-619	#6 TCG Insert 19mm	1	N
5538-T-622	#6 TCG Insert 22mm	1	O
5538-T-625	#6 TCG Insert 25mm	1	P

Triathlon TS Knee System

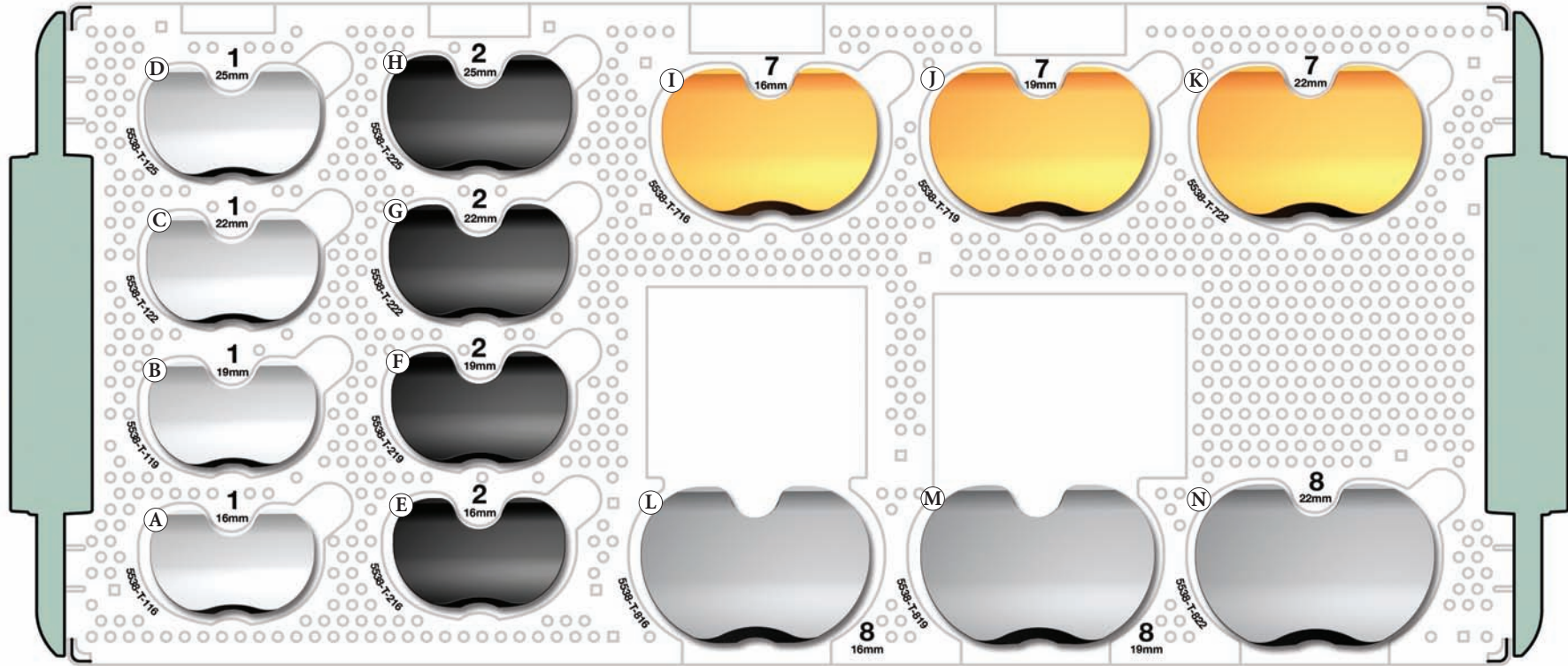


Catalog #	Description	Qty	Ref. Letter
6543-1-731	#1 Trial Cutting Guide	1	A
6543-1-732	#2 Trial Cutting Guide	1	B
6543-1-737	#7 Trial Cutting Guide	1	C
6543-1-738	#8 Trial Cutting Guide	1	D
6543-1-740	Neutral TCG Valgus Adapter	1	E
6543-1-742	2mm Offset TCG Valgus Adapter	1	F
6543-1-744	4mm Offset TCG Valgus Adapter	1	G
6543-1-746	6mm Offset TCG Valgus Adapter	1	H
6543-1-748	8mm Offset TCG Valgus Adapter	1	I
5100-3600	TCG Torque Handle	1	J
6543-4-820	TCG T-20 Torx Driver	1	K
6543-4-524	TCG Reamer -24mm	1	L

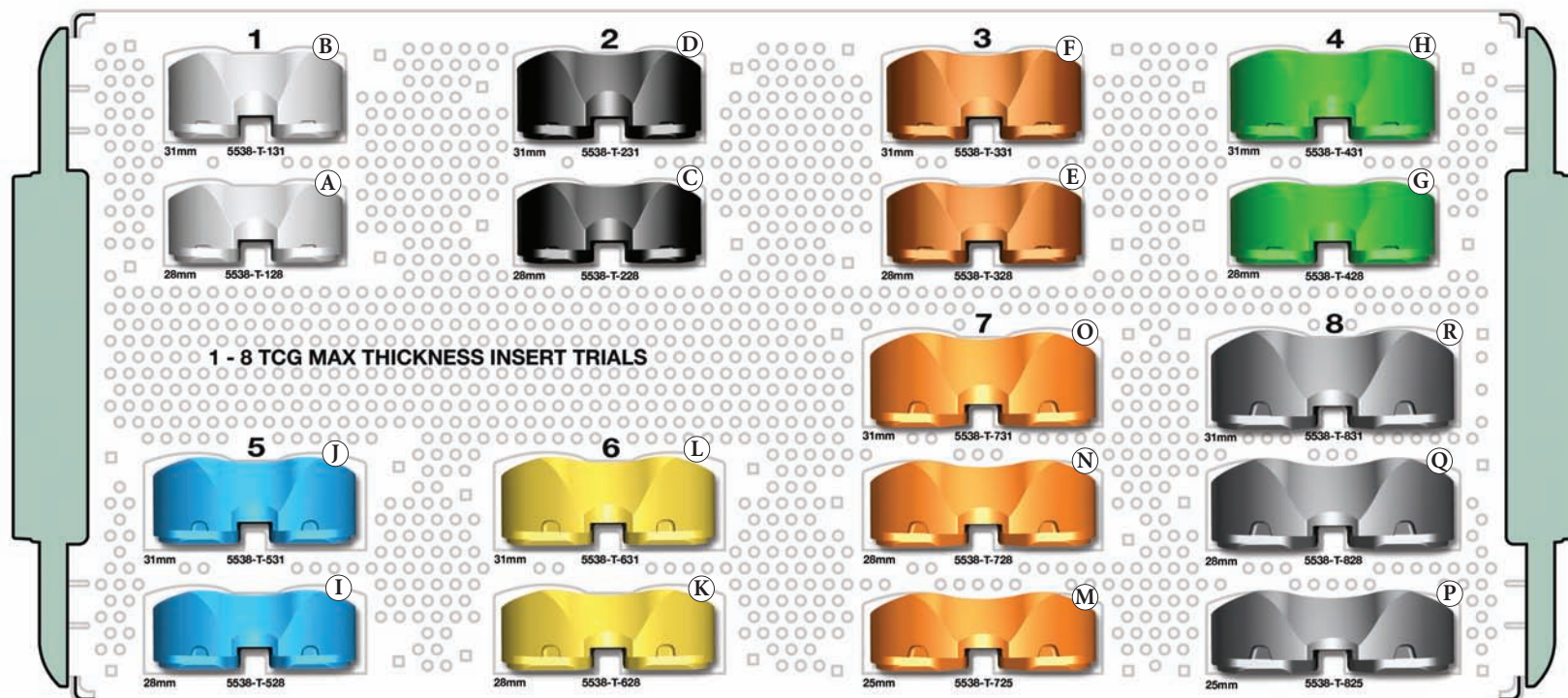
Catalog #	Description	Qty	Ref. Letter
5538-T-109	#1 TCG Insert Trial 9mm	1	M
5538-T-111	#1 TCG Insert Trial 11mm	1	N
5538-T-113	#1 TCG Insert Trial 13mm	1	O
5538-T-209	#2 TCG Insert Trial 9mm	1	P
5538-T-211	#2 TCG Insert Trial 11mm	1	Q
5538-T-213	#2 TCG Insert Trial 13mm	1	R
5538-T-709	#7 TCG Insert Trial 9mm	1	S
5538-T-711	#7 TCG Insert Trial 11mm	1	T
5538-T-713	#7 TCG Insert Trial 13mm	1	U
5538-T-809	#8 TCG Insert Trial 9mm	1	V
5538-T-811	#8 TCG Insert Trial 11mm	1	W
5538-T-813	#8 TCG Insert Trial 13mm	1	X

Triathlon TS Knee System

1,2,7,8 TCG Instrument & Trials Kit Contents - Lower Tray



Catalog #	Description	Qty	Ref. Letter
5538-T-116	#1 TCG Insert Trial 16mm	1	A
5538-T-119	#1 TCG Insert Trial 19mm	1	B
5538-T-122	#1 TCG Insert Trial 22mm	1	C
5538-T-125	#1 TCG Insert Trial 25mm	1	D
5538-T-216	#2 TCG Insert Trial 16mm	1	E
5538-T-219	#2 TCG Insert Trial 19mm	1	F
5538-T-222	#2 TCG Insert Trial 22mm	1	G
5538-T-225	#2 TCG Insert Trial 25mm	1	H
5538-T-716	#7 TCG Insert Trial 16mm	1	I
5538-T-719	#7 TCG Insert Trial 19mm	1	J
5538-T-722	#7 TCG Insert Trial 22mm	1	K
5538-T-816	#8 TCG Insert Trial 16mm	1	L
5538-T-819	#8 TCG Insert Trial 19mm	1	M
5538-T-822	#8 TCG Insert Trial 22mm	1	N



Catalog #	Description	Qty	Ref. Letter	Catalog #	Description	Qty	Ref. Letter
5538-T-128	#1 TCG Insert Trial 28mm	1	A	5538-T-531	#5 TCG Insert Trial 31mm	1	J
5538-T-131	#1 TCG Insert Trial 31mm	1	B	5538-T-628	#6 TCG Insert Trial 28mm	1	K
5538-T-228	#2 TCG Insert Trial 28mm	1	C	5538-T-631	#6 TCG Insert Trial 31mm	1	L
5538-T-231	#2 TCG Insert Trial 31mm	1	D	5538-T-725	#7 TCG Insert Trial 25mm	1	M
5538-T-328	#3 TCG Insert Trial 28mm	1	E	5538-T-728	#7 TCG Insert Trial 28mm	1	N
5538-T-331	#3 TCG Insert Trial 31mm	1	F	5538-T-731	#7 TCG Insert Trial 31mm	1	O
5538-T-428	#4 TCG Insert Trial 28mm	1	G	5538-T-825	#8 TCG Insert Trial 25mm	1	P
5538-T-431	#4 TCG Insert Trial 31mm	1	H	5538-T-828	#8 TCG Insert Trial 28mm	1	Q
5538-T-528	#5 TCG Insert Trial 28mm	1	I	5538-T-831	#8 TCG Insert Trial 31mm	1	R



Orthopaedics

325 Corporate Drive
Mahwah, NJ 07430
t: 201.831.5000

www.stryker.com

A surgeon must always rely on his or her own professional clinical judgment when deciding to use which products and/or techniques on individual patients. Stryker is not dispensing medical advice and recommends that surgeons be trained in orthopaedic surgeries before performing any surgeries.

The information presented is intended to demonstrate the breadth of Stryker product offerings. Always refer to the package insert, product label and/or user instructions before using any Stryker product. Products may not be available in all markets. Product availability is subject to the regulatory or medical practices that govern individual markets. Please contact your Stryker representative if you have questions about the availability of Stryker products in your area.

Stryker Corporation or its divisions or other corporate affiliated entities own, use or have applied for the following trademarks or service marks: Stryker, Triathlon. All other trademarks are trademarks of their respective owners or holders.

Literature Number: **LTTSRG**
MS/GS 5c 11/07

Copyright © 2007 Stryker
Printed in USA